



SERIE
ANIMALS
SERIES



Installed with climbing net

Technical information.

Structure: Reinforced fiberglass with gel-coat finished painted in mass with the predominant color.

Access: It can be installed with three types of access: climbing net (KP4014), climbing wall (KP4012) or curved ladder (KP4018).

Slide: Made in one single piece of polyethylene.

Screws: of zinc plates steel, M8.

Bindings: High resistance angle brackets made in polyethylene.

Technical data.

Assembly: 2 pers. 1 hour.

Weight: 250 Kg.

Total height : 2,5 m.

Maximum height fall: 0,90 m.

Safety area: 26 m²

Biggest piece dimension: 2 m.

Spare pieces availability: 3 years.



C/ Foia, 13
Pl. Alquería
de Moret
46210 Picanya
(Valencia)



+34 963 313 677



kiwi@kiwipw.com



kiwiplaygrounds.com

The company reserves the right to perform any modification or change in their products.

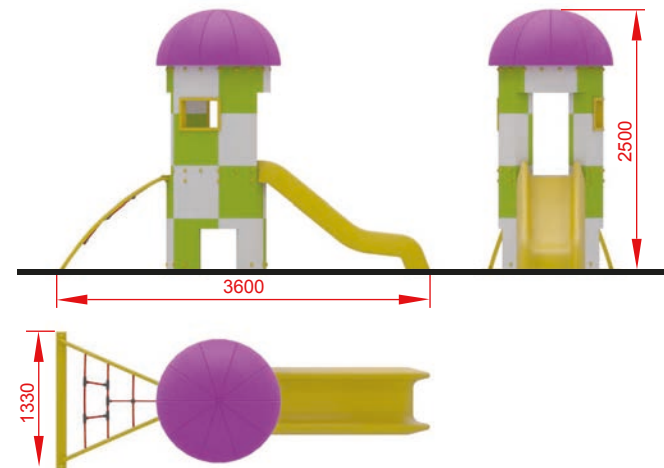


Installed with climbing wall.



Installed with curved ladder.

General dimensions (mm.)



COMPLEMENTS



The Silo (age 3-6 years)

Ref. KC4001

Last check: 01/02/2020

Pag. 2/2

EN-1176-1: 2017

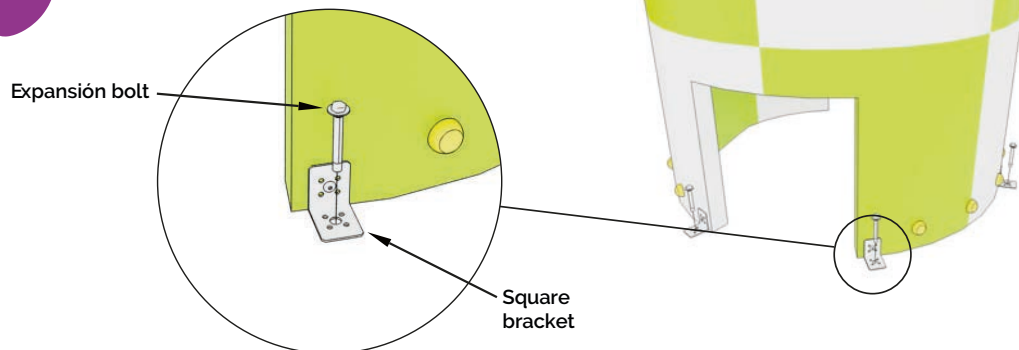
EN-1176-2: 2017+AC: 2019

EN-1176-3: 2017

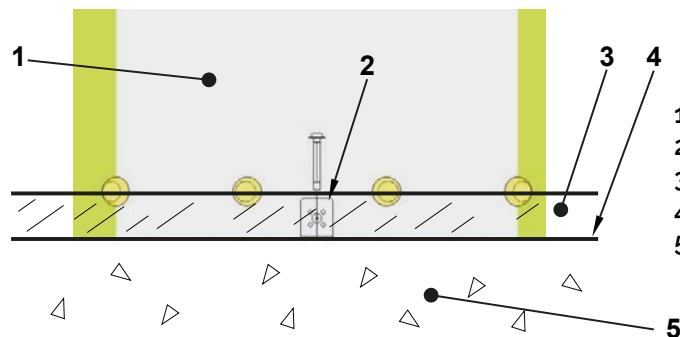


SERIE ANIMALS SERIES

Anchoring detail

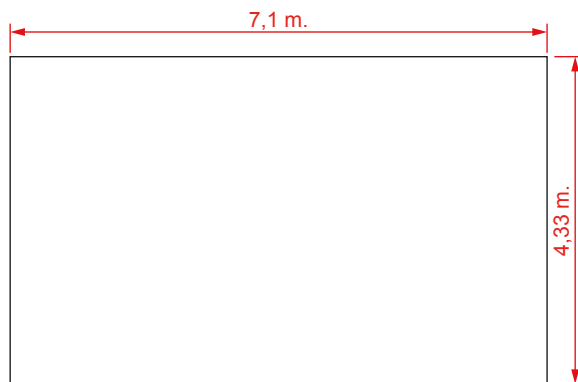


Anchoring detail



- 1 Silo.
- 2 Square bracket.
- 3 Rubber.
- 4 Foundation's upper layer.
- 5 Foundation.

Dimensions for the concrete slab .



Installation.

Anchored to the floor with 4 steel square brackets and 4 expansion bolts. Finished with compacted material coating either continuous wet-pour rubber surfacing or rubber tiles.

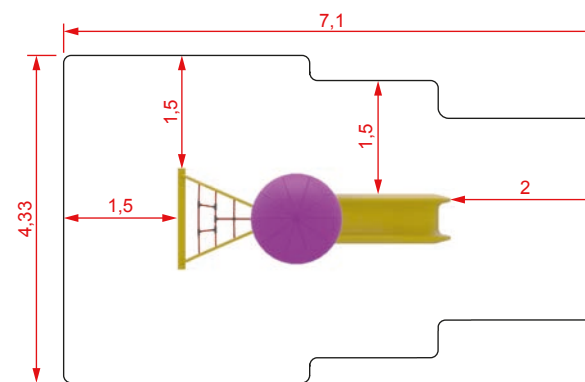
Maintenance:

Checking: all fixing points, screws and bolts must be periodically checked and tightened again if necessary. The checking date must be annotated in order to establish a control.

Inspections:

1. Routine visual inspection. An eye and functional inspection will be performed to verify that you have not suffered any vandalism damage.
2. Functional inspection. This inspection will be carried out with a periodicity of 1 to 3 months and attention should be paid to the components "sealed for life" and the equipment whose stability depends on a post.
3. Annual inspection. A complete inspection of the whole set will be carried out in order to verify that it meets all the sections of the standard and that it has not been modified.

Safety area, 26 m² (m.)



C/ Foia, 13
Pl. Alquería
de Moret
46210 Picanya
(Valencia)



+34 963 313 677



kiwi@kiwipw.com



kiwipw.com

The company reserves
the right to perform
any modification or
change in their products.

COMPLEMENTOS