



Climbing Wall - The Cone (age 3-6 years)

Ref. KP1061

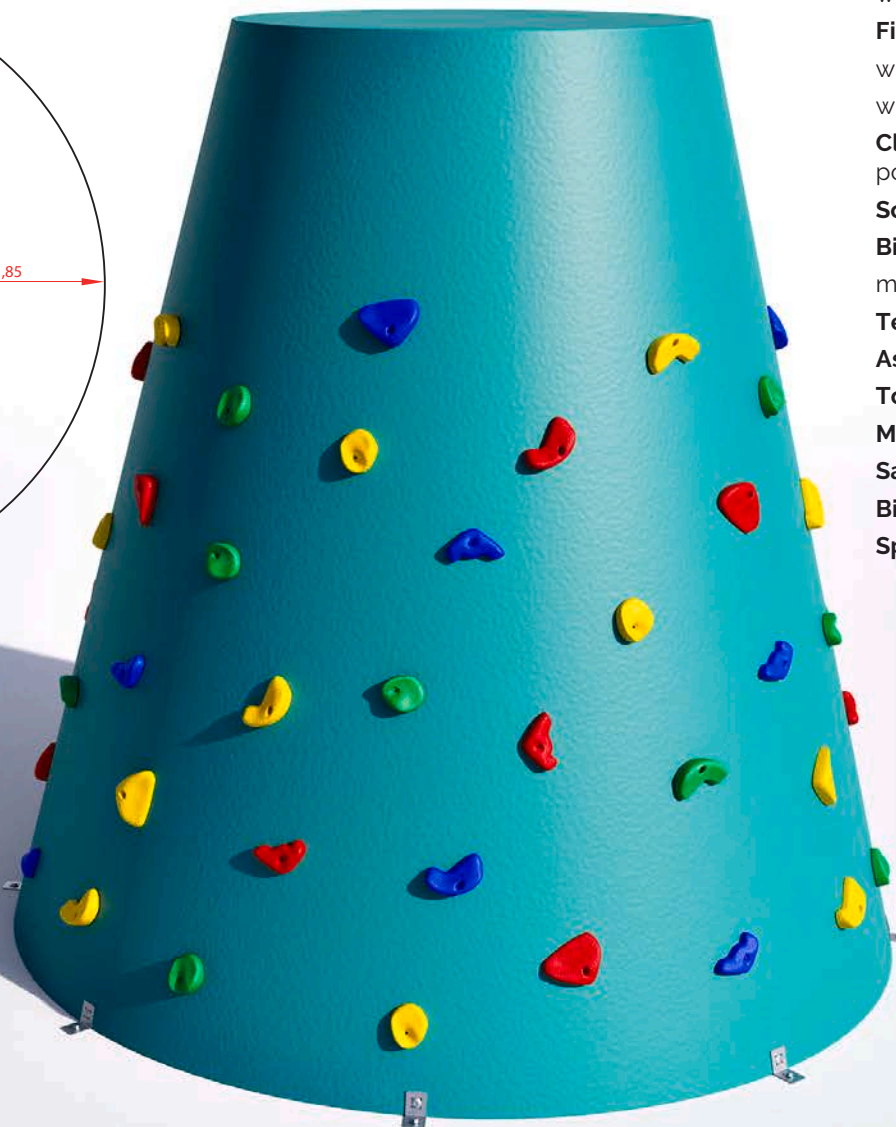
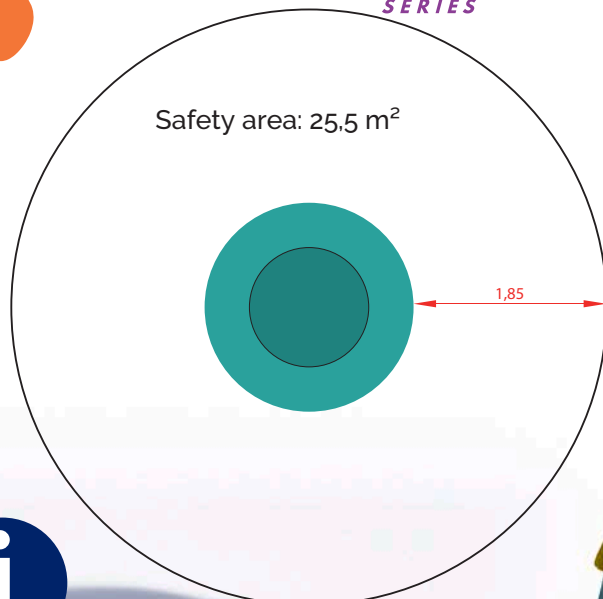
Last check dec./ 2018

Pag. 1/2

EN-1176-1: 1/7



SERIE
ANIMALS
SERIES



Technical information.

Structure: Made of water repellent wood board.

Finish: exterior lined in fiberglass sheets with polyphonic coating and mass painted with color to choose.

Climbing holds: Made in latest generation polyurethane with rugged finish.

Screws: of zinc plates steel.

Bindings: High resistance angle brackets made in zinc plates steel.

Technical data.

Assembly: 2 pers. 2 hours.

Total high: 2 m.

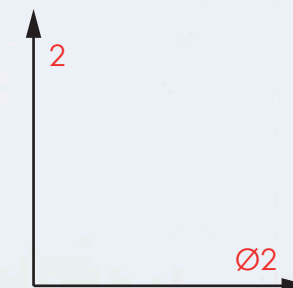
Maximum height fall: 2 m.

Safety area: 25,5 m²

Biggest piece dimension: 2 m.

Spare pieces availability: 3 years.

General dimensions (m.)



C/ Foia, 13
P.I. Alqueria
de Moret
46210 Picanya
(Valencia)



+34 963 313 677



kiwi@kiwipw.com



www.kiwipw.com

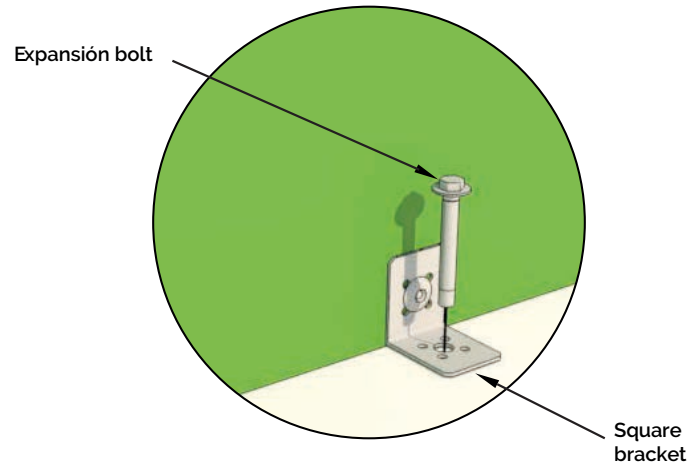
The company reserves
the right to perform
any modification or
change in their products.

CLIMBINBG WALLS



SERIE
ANIMALS
SERIES

Anchoring detail.



Installation.

Anchored to the floor with expansion bolts. Finished with compacted material coating either continuous wet-pour rubber surfacing or rubber tiles.

Maintenance.

-Check: All fixing points. Screws and bolts must be periodically checked, then tightened and adjusted if necessary. The checking date must be annotated in order to establish a control.

Inspections.

-Routine Inspection: A visual and functional inspection must be carried out every 3 months in order to check that the module has suffered no harm due to vandalism or mishandling.

-Yearly Inspection: A full inspection of the entire installation must be done to check that it keeps all norm standards and has suffered no alterations.



C/ Foia, 13
P.I. Alquería
de Moret
46210 Picanya
(Valencia)



+34 963 313 677



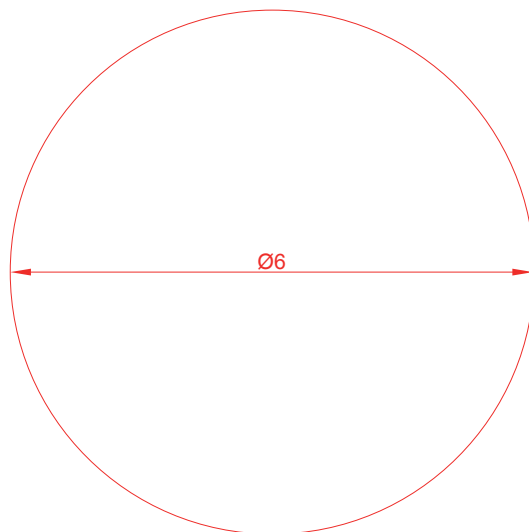
kiwi@kiwipw.com



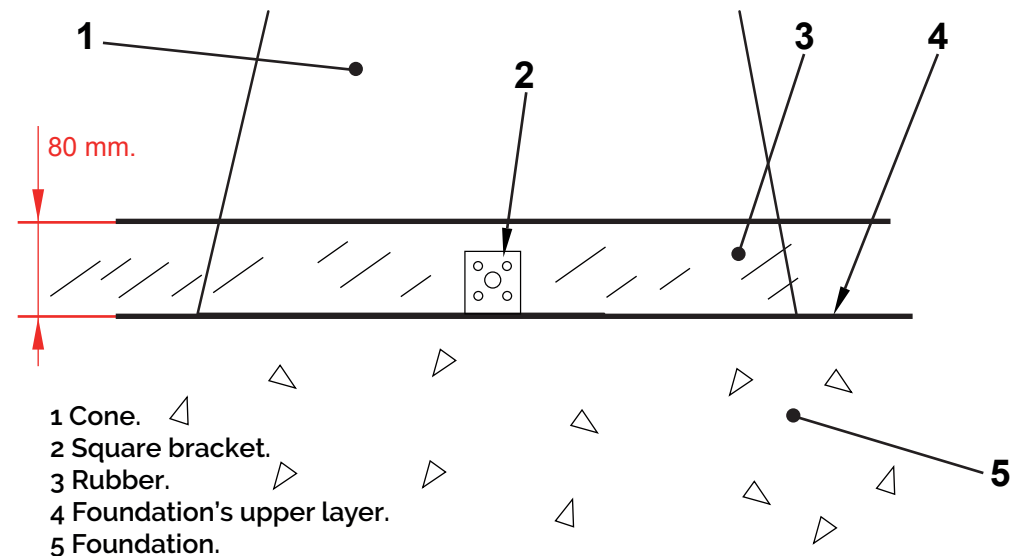
www.kiwipw.com

The company reserves the right to perform any modification or change in their products.

Dimensions for the concrete slab. (m.)



Anchoring detail



- 1 Cone.
- 2 Square bracket.
- 3 Rubber.
- 4 Foundation's upper layer.
- 5 Foundation.