

Slides PE (age 2-12 years)

Ref. KP2005W

Last check 12/2019

Pag. 1/2

EN-1176-1: 1/7



SERIE **ANiMALS**
SERIES



Support zone horizontal with inserts threaded for installation.

Nerve reinforced design longitudinal lower.



C/ Foia, 13
P.I. Alqueria de Moret
46210 Picanya (Valencia)



+34 963 313 677



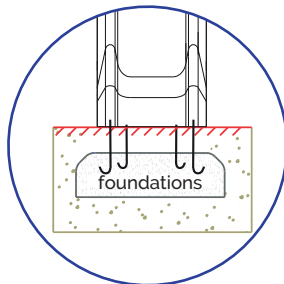
kiwi@kiwipw.com



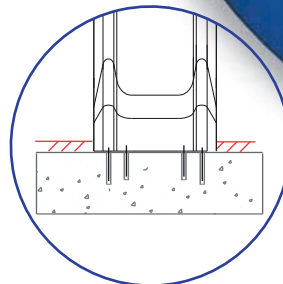
www.kiwipw.com

The company reserves the right to perform any modification or change in their products.

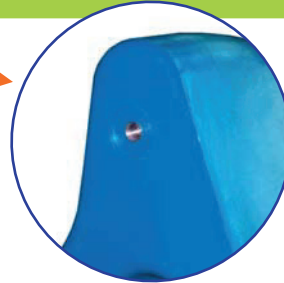
Two types of installation



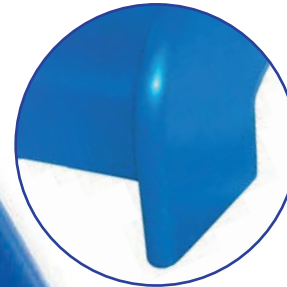
With foundations, in non-compact floors



Screwed, with chemical plug in compact floors



Zone for vertical enclosure, with threaded inserts M10, integrated in the slide for its installation.



Maximum security thanks to its continuous surface and all fully rounded edges.



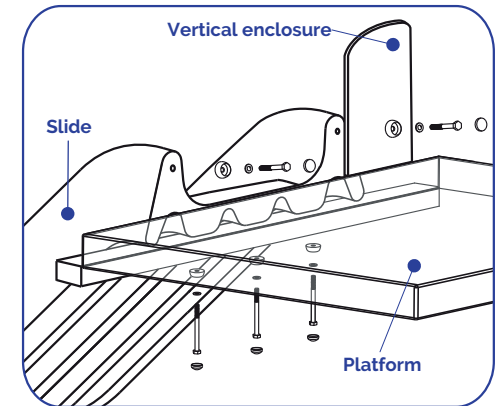
Available colours

Technical information.

Polyethylene slides for installation in platforms from 600 mm. at 1,500 mm. Tall. High resistance to UV rays. They do not need maintenance. Excellent behavior at impact. Stackable in its transport. 100% recyclable material. PE.

Installation: With foundations on floors not compact, or screwed into compact floors.

Example of installation to platform.



Includes threaded inserts at the base to fix the slide With maximum security.

ACCESSORIES



SERIE
ANIMALS
SERIES



KP2005W-60



KP2005W-90



KP2005W-100



KP2005W-120



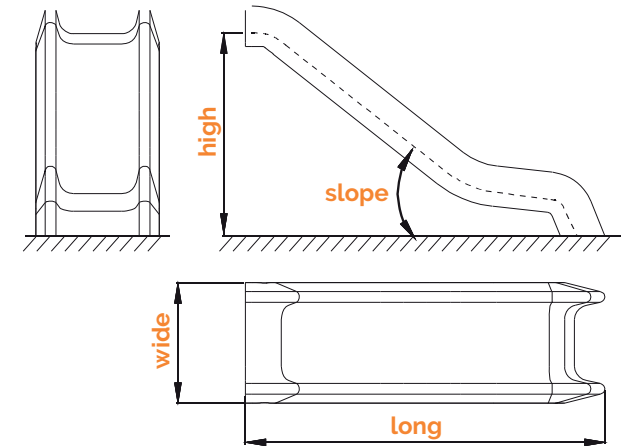
KP2005W-130



KP2005W-140



KP2005W-150



C/ Foia, 13
P.I. Alqueria
de Moret
46210 Picanya
(Valencia)



+34 963 313 677



kiwi@kiwipw.com

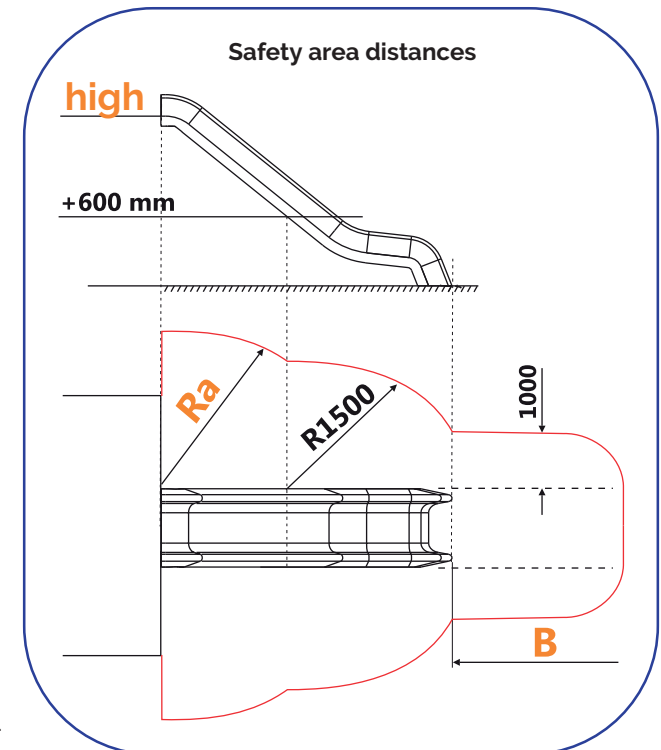


www.kiwipw.com

The company reserves
the right to perform
any modification or
change in their products.

Available models	Dimensions				Safety area distances	
	high	long	wide	slope	Ra	B
KP2005W-60	600	1.115	657	39°	1.500	1.500
KP2005W-90	900	1.660	657	39°	1.500	1.500
KP2005W-100	1.000	1.784	657	39°	1.500	1.500
KP2005W-120	1.200	2.030	657	39°	1.500	2.000
KP2005W-130	1.300	2.154	657	39°	1.500	2.000
KP2005W-140	1.400	2.279	657	39°	1.500	2.000
KP2005W-150	1.500	2.243	657	39°	1.500	2.000

Dimensions in mm.



Ra: Fall Area Radius
at the highest point of the slide.
B: Impact area length.

ACCESSORIES