



# Fixed Bridge (age 6-12 years)

Ref. KP4011

Last check : 01/02/2020

Pag. 1/2

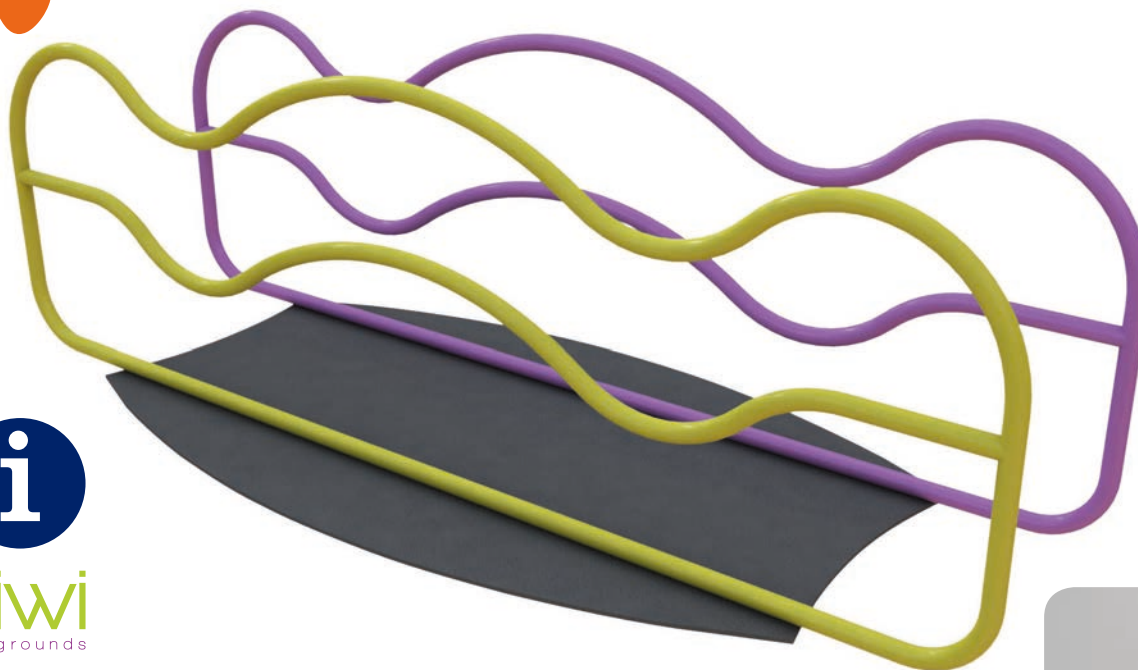
EN-1176-1: 2017

EN-1176-2: 2017+AC: 2019

EN-1176-3: 2017



SERIE  
**ANIMALS**  
SERIES



C/ Foia, 13  
Pl. Alquería  
de Moret  
46210 Picanya  
(Valencia)



+34 963 313 677



kiwi@kiwipw.com



kiwiplaygrounds.com

The company reserves  
the right to perform  
any modification or  
change in their products.

## Technical information

**Materials:** Manufactured in Ø40 mm.  
curved tubular steel.

**Finishes:** Baked paint in various colors.

**Surface:** Made in wisa-multifloor playwood.

## Technical data

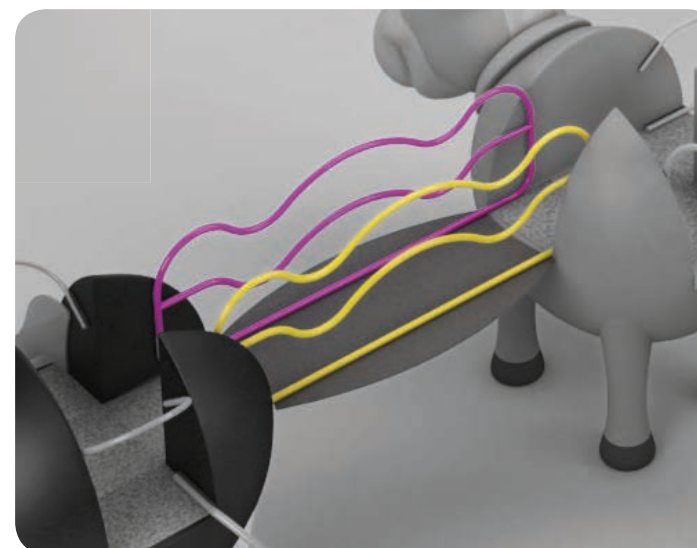
**Assembly:** 2 pers.

**Weight:** 100 Kg.

**Total height:** 0,85 m.

**Free fall height:** 1,50 m.

**Dimensions:** h0,85 x 2,6 x 1,1 m.



Installation example.

**ACCESSORIES**



# Fixed Bridge (age 6-12 years)

Ref. KP4011

SERIE  
**ANIMALS**  
SERIES

Last check: 01/02/2020

Pag. 2/2

EN-1176-1: 2017

EN-1176-2: 2017+AC: 2019

EN-1176-3: 2017



### Installation.

Anchored to the animal module with 16 screws.

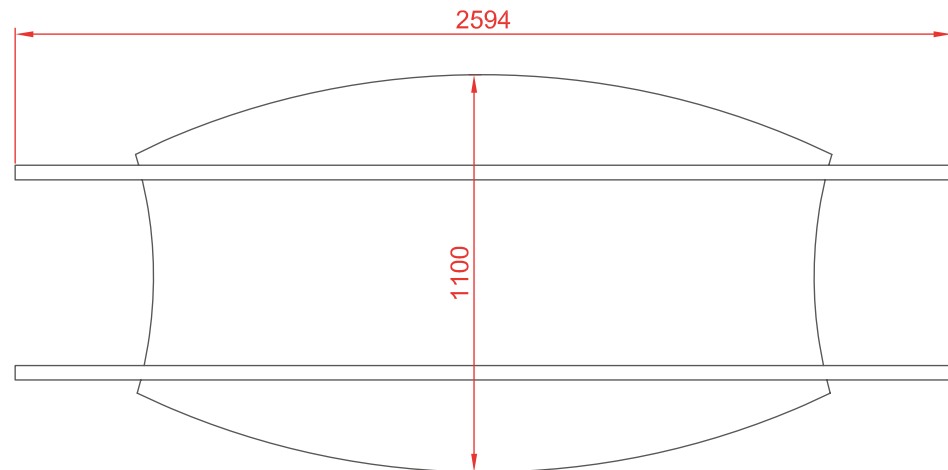
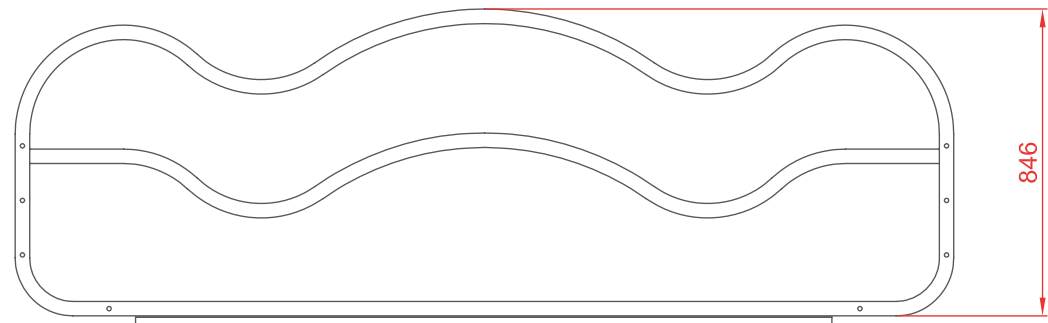
### Maintenance:

Checking: all fixing points, screws and bolts must be periodically checked and tightened again if necessary. The checking date must be annotated in order to establish a control.

### Inspections:

1. Routine visual inspection. An eye and functional inspection will be performed to verify that you have not suffered any vandalism damage.
2. Functional inspection. This inspection will be carried out with a periodicity of 1 to 3 months and attention should be paid to the components "sealed for life" and the equipment whose stability depends on a post.
3. Annual inspection. A complete inspection of the whole set will be carried out in order to verify that it meets all the sections of the standard and that it has not been modified.

### General dimensions (mm.)



**ACCESSORIES**



C/ Foia, 13  
P.I. Alquería  
de Moret  
46210 Picanya  
(Valencia)



+34 963 313 677



kiwi@kiwipw.com



kiwiplaygrounds.com

The company reserves  
the right to perform  
any modification or  
change in their products.