



SERIE  
**ANIMALS**  
SERIES



C/ Foia, 13  
Pl. Alqueria  
de Moret  
46210 Picanya  
(Valencia)



+34 963 313 677

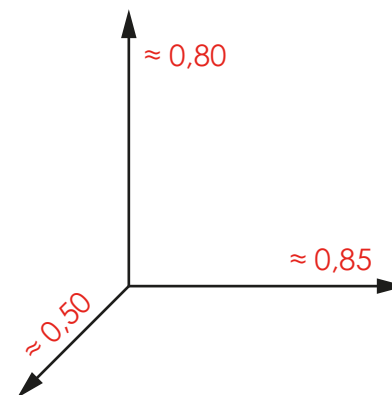


@ kiwi@kiwipw.com

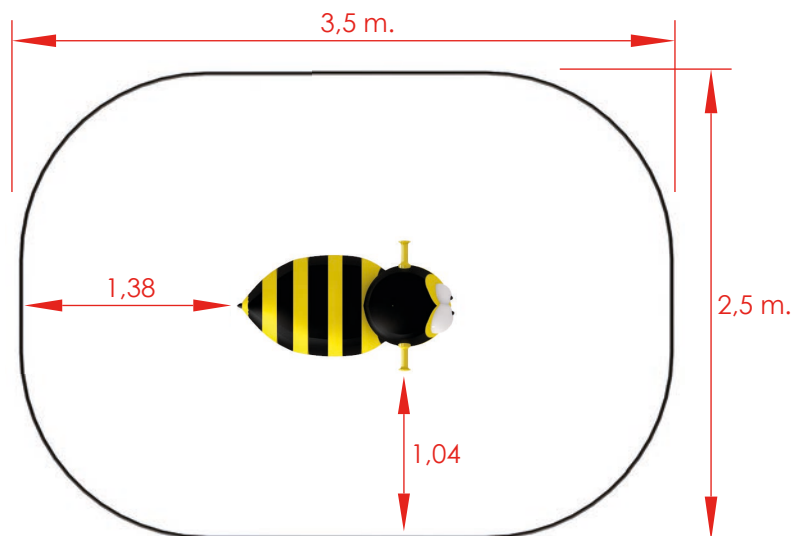
www kiwiplaygrounds.com

The company reserves  
the right to perform  
any modification or  
change in their products.

General  
dimensions (m.)



Safety area: 7,8 m<sup>2</sup>



**Technical information.**

**Animal:** Main body made of polyester, painted by mass, with geal-coat of predominant color and antigraffiti treatment.

**Structure:** Internal frame made of steel to be anchored to the spring.

**Spring:** Standard made of steel s/norm UNE1176 with thermosetting polyester coating.

**Bindings:** Made in galvanized steel to be anchored on concrete deck.

**Technical data.**

**Assembly:** 1 pers. 1/2 hour.

**Weight:** ≈ 30 Kg.

**Total height:** ≈ 0,80 m.

**Free fall height:** ≈ 0,60 m.

**Safety area:** 7,8 m<sup>2</sup>.

**Biggest piece dimension:** ≈ 0,85 m.

**Spare pieces availability:** 3 years.

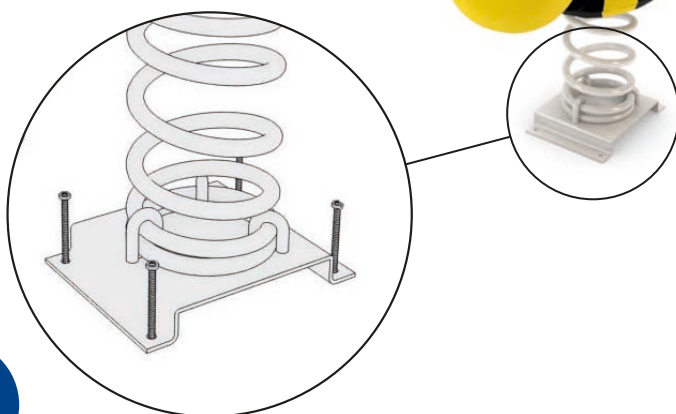
THE LITTLE ONES



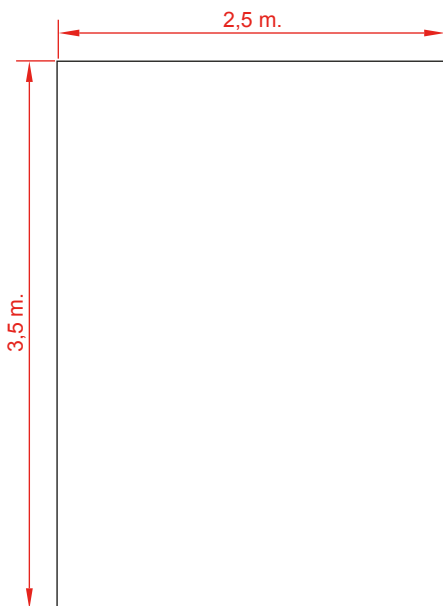
## SERIE ANIMALS SERIES



Anchoring detail.



Concrete slab dimensions.



### Installation.

Screwed to concrete floor using expansion plugs or threaded rod and epoxy. Finished with compacted material coating either continuous wet-pour rubber surfacing or rubber tiles.

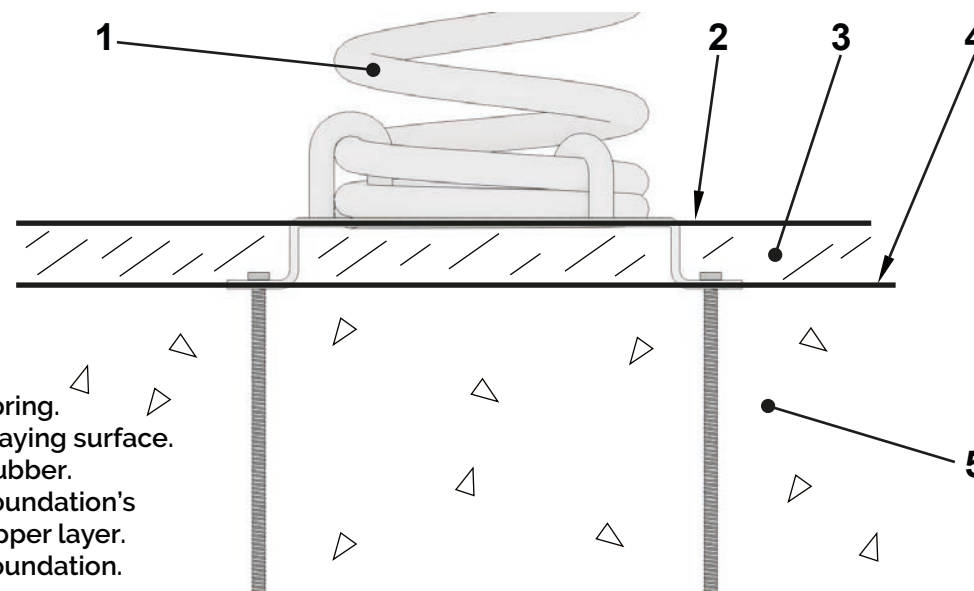
### Maintenance:

Checking: all fixing points, screws and bolts must be periodically checked and tightened again if necessary. The checking date must be annotated in order to establish a control.

### Inspections:

1. Routine visual inspection. An eye and functional inspection will be performed to verify that you have not suffered any vandalism damage.
2. Functional inspection. This inspection will be carried out with a periodicity of 1 to 3 months and attention should be paid to the components "sealed for life" and the equipment whose stability depends on a post.
3. Annual inspection. A complete inspection of the whole set will be carried out in order to verify that it meets all the sections of the standard and that it has not been modified.

Spring Anchoring detail.



- 1 Spring.
- 2 Playing surface.
- 3 Rubber.
- 4 Foundation's upper layer.
- 5 Foundation.



C/ Foia, 13  
P.I. Alqueria de Moret  
46210 Picanya (Valencia)



+34 963 313 677



kiwi@kiwipw.com



kiwiplaygrounds.com

The company reserves the right to perform any modification or change in their products.