



# The Dog (age 6-12 years)

Ref. KP4050

Last check: 01/02/2020

Pag. 1/2

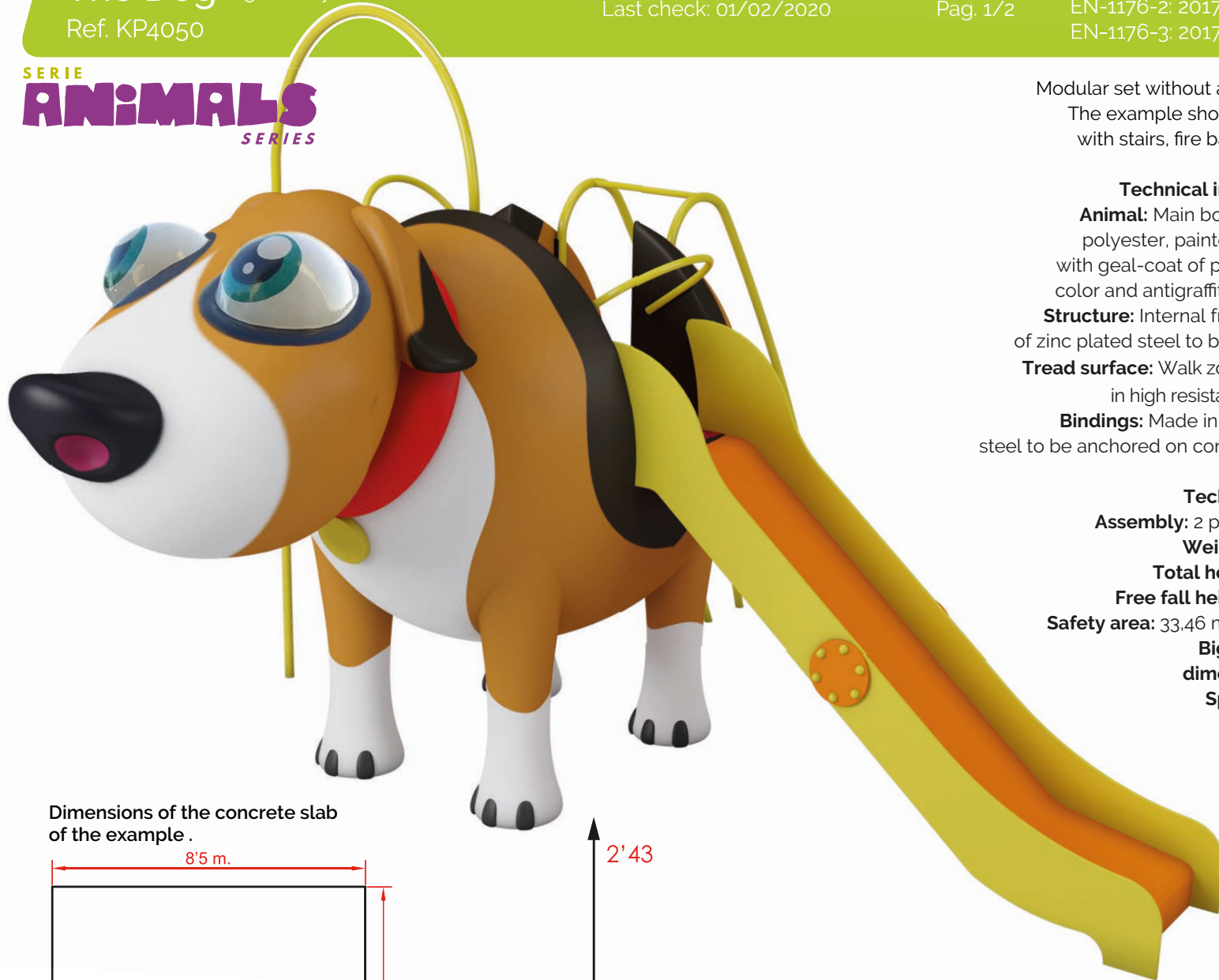
EN-1176-1: 2017

EN-1176-2: 2017+AC: 2019

EN-1176-3: 2017



SERIE  
**ANIMALS**  
SERIES



Modular set without accessories.  
The example shows installed  
with stairs, fire bar and slide.

### Technical information.

**Animal:** Main body made of polyester, painted by mass, with geal-coat of predominant color and antigraffiti treatment.

**Structure:** Internal frame made of zinc plated steel to be anchored.

**Tread surface:** Walk zone finished in high resistance EPDM.

**Bindings:** Made in galvanized steel to be anchored on concrete deck.

### Technical data.

**Assembly:** 2 pers. 2 hours.

**Weight:** 300 Kg.

**Total height:** 2,4 m.

**Free fall height:** 1,50 m.

**Safety area:** 33,46 m<sup>2</sup>. (sample).

**Biggest piece dimension:** 3 m.

**Spare pieces availability:**

3 años.



C/ Foia, 13  
P.I. Alquería  
de Moret  
46210 Picanya  
(Valencia)



+34 963 313 677



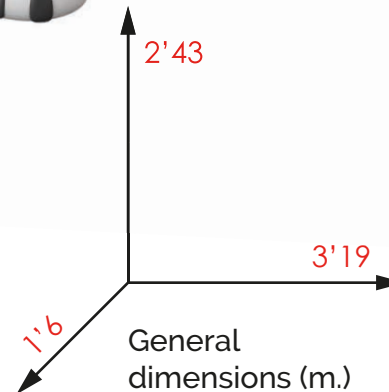
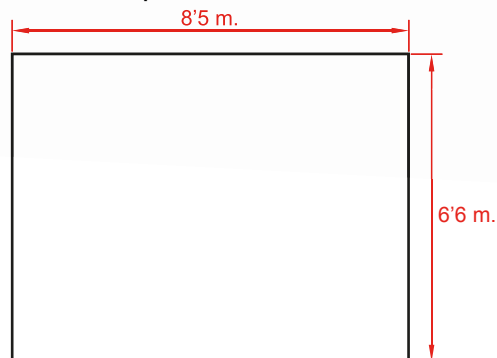
kiwi@kiwipw.com



kiwiplaygrounds.com

The company reserves  
the right to perform  
any modification or  
change in their products.

Dimensions of the concrete slab  
of the example .



**MODULES**



# The Dog (age 6-12 years)

Ref. KP4050

Last check: 01/02/2020

Pag. 2/2

EN-1176-1: 2017

EN-1176-2: 2017+AC: 2019

EN-1176-3: 2017



## SERIE ANIMALS SERIES



Safety area: 33.46 m<sup>2</sup>  
(with example elements)



C/ Foia, 13  
Pl. Alquería  
de Moret  
46210 Picanya  
(Valencia)



+34 963 313 677

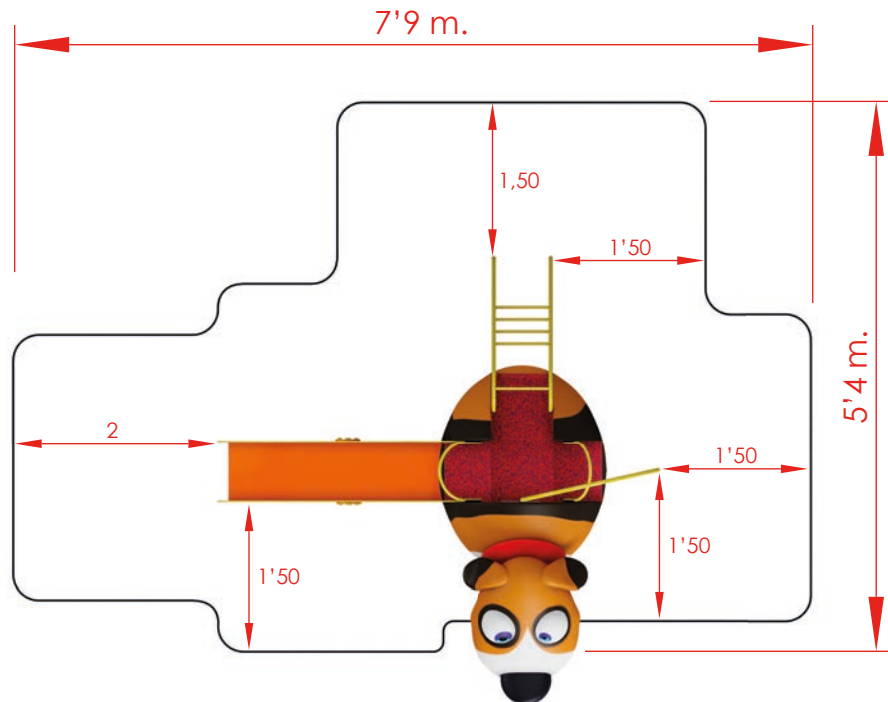


kiwi@kiwipw.com



kiwiplaygrounds.com

The company reserves  
the right to perform  
any modification or  
change in their products.



### Installation.

Screwed to concrete floor using expansion plugs or threaded rod and epoxy. Finished with compacted material coating either continuous wet-pour rubber surfacing or rubber tiles.

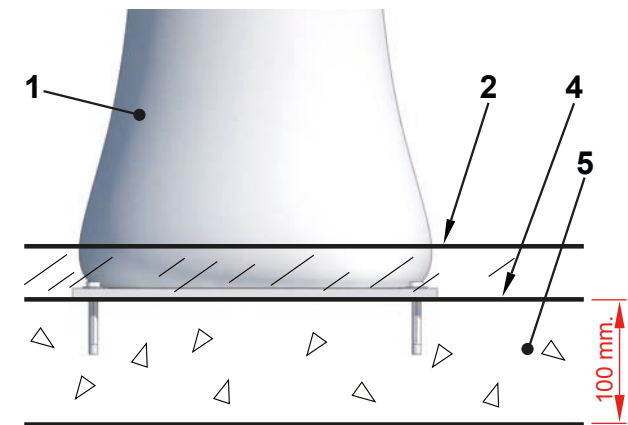
### Maintenance:

Checking: all fixing points, screws and bolts must be periodically checked and tightened again if necessary. The checking date must be annotated in order to establish a control.

### Inspections:

1. Routine visual inspection. An eye and functional inspection will be performed to verify that you have not suffered any vandalism damage.
2. Functional inspection. This inspection will be carried out with a periodicity of 1 to 3 months and attention should be paid to the components "sealed for life" and the equipment whose stability depends on a post.
3. Annual inspection. A complete inspection of the whole set will be carried out in order to verify that it meets all the sections of the standard and that it has not been modified.

Anchoring detail



- 1 Leg
- 2 Playing surface
- 3 Rubber
- 4 Foundation's upper layer
- 5 Foundation

# MODULES