



SERIE
ANIMALS
SERIES
special projects



Technical information

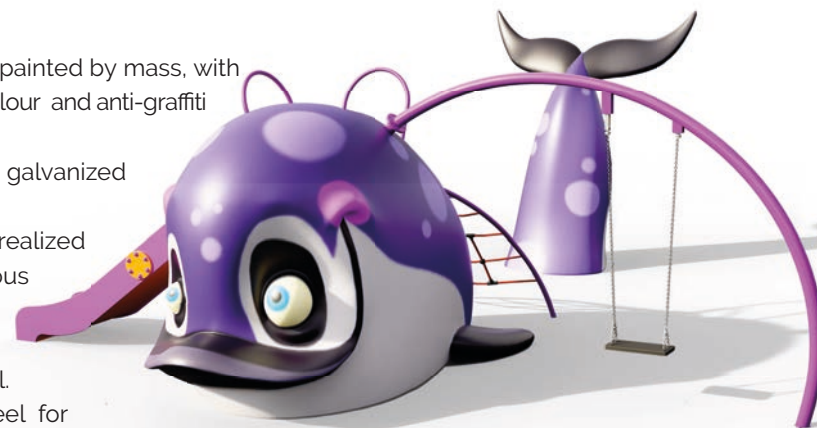
Animal: Build in polyester painted by mass, with gel-coat of predominant colour and anti-graffiti treatment.

Structure: Internal build in galvanized steel pipe.

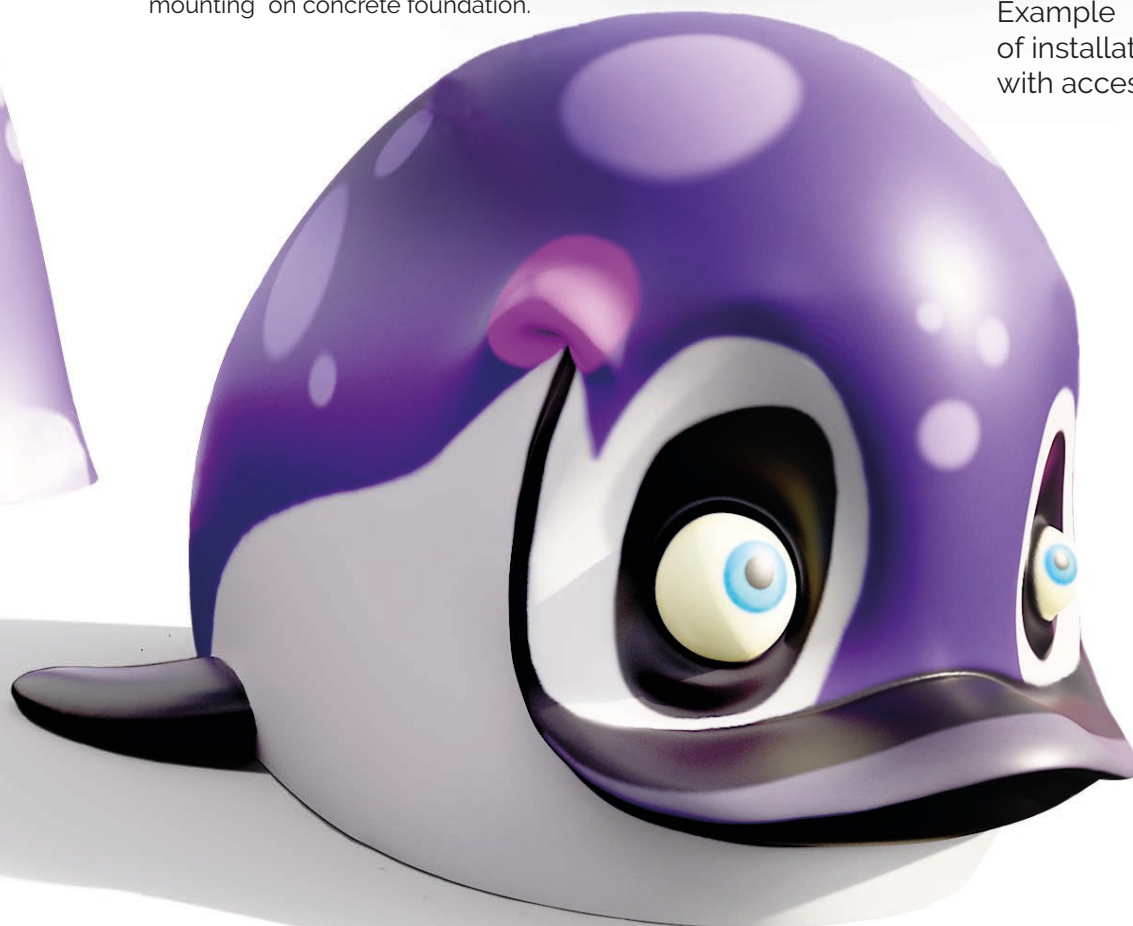
Platforms: Stepable zone realized in high resistance continuous wet-pour rubber surfacing (EPDM).

Screws: On galvanized steel.

Anchoring: Galvanized steel for mounting on concrete foundation.



Example of installation with accessories.



Technical data:

Assembly: 4 pers. 4 hours.

Total high: 2,40 m.

Free fall height: 1,50 m.

Dimensions: 7,70 x 2,45 x h2,4 m.

Safety area: 94,50 m²

(For the example installation).

Biggest

element dimensions: 3,40 m.

Spare parts disponibility: 3 years.



C/ Foia, 13
P.I. Alquería
de Moret
46210 Pica



kiwi@kiwipw.com



kiwiplaygrounds.com

The company reserves the right to perform any modification or change in their products.



The Dolphin (age 3-12 years)

Ref. KZM1001

Last check: 01/02/2020

Page 2/3

EN-1176-1: 2017

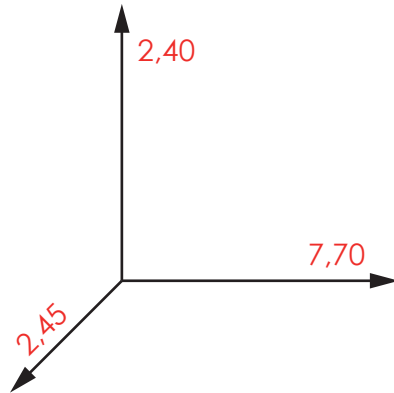
EN-1176-2: 2017+AC: 2019

EN-1176-3: 2017

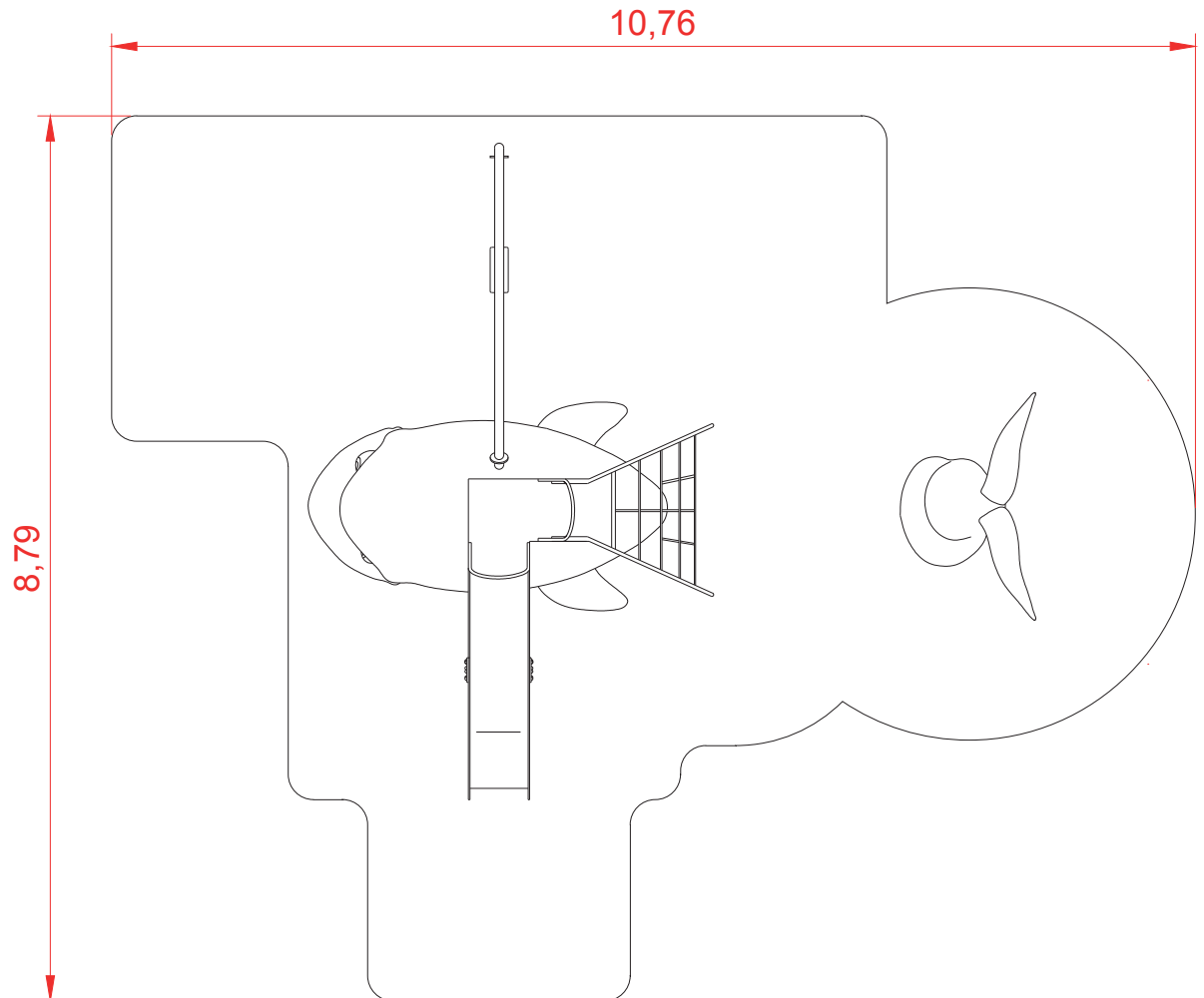


SERIE
ANIMALS
SERIES
special projects

General dimensions (m.).



Total safety area: 94,50 m²



Note

The separation and orientation of the two elements, head, and body, may vary, as long as the necessary security areas of each element do not conflict. Consult possible alternatives.



C/ Foia, 13
P.I. Alquería
de Moret
46210 Picanya
(Valencia)



+34 963 313 677



kiwi@kiwipw.com



kiwiplaygrounds.com

The company reserves
the right to perform
any modification or
change in their products.

MULTIGAMES THEMED AREAS



The Dolphin (age 3-12 years)

Ref. KZM1001

Last check: 01/02/2020

Page 3/3

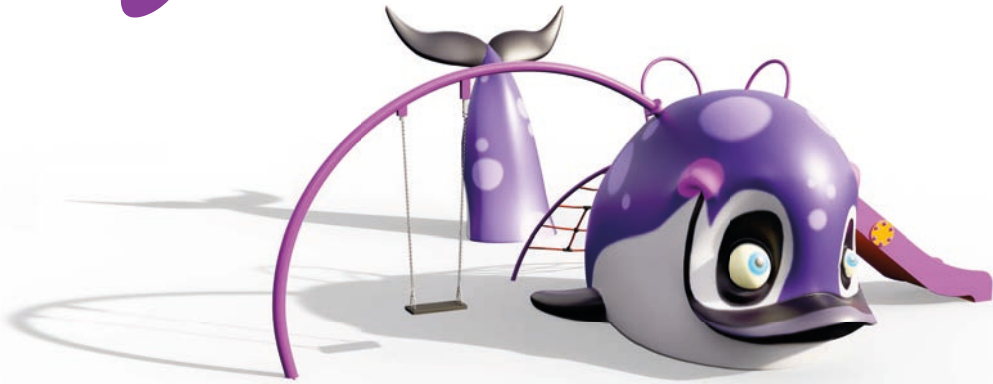
EN-1176-1: 2017

EN-1176-2: 2017+AC: 2019

EN-1176-3: 2017



SERIE
ANIMALS
SERIES
special projects



C/ Foia, 13
P.I. Alquería
de Moret
46210 Picanya
(Valencia)



+34 963 313 677



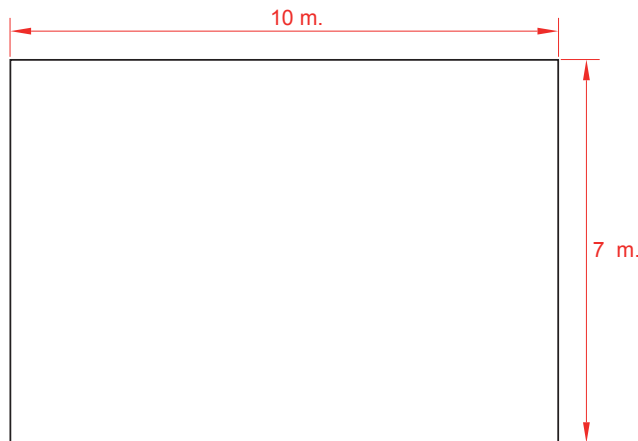
kiwi@kiwipw.com



kiwiplaygrounds.com

The company reserves
the right to perform
any modification or
change in their products.

Foundation dimensions for a straight distribution
of the elements.
For other distributions, consult us.



Installation.

Screwed to concrete floor using expansion plugs or threaded rod and epoxy. Finished with compacted material coating either continuous wet-pour rubber surfacing or rubber tiles.

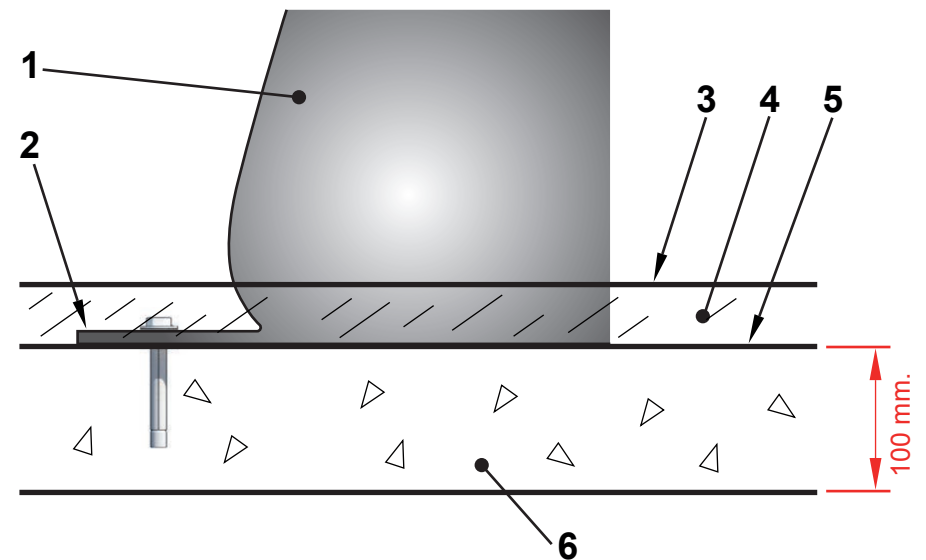
Maintenance:

Checking: all fixing points, screws and bolts must be periodically checked and tightened again if necessary. The checking date must be annotated in order to establish a control.

Inspections:

1. Routine visual inspection. An eye and functional inspection will be performed to verify that you have not suffered any vandalism damage.
2. Functional inspection. This inspection will be carried out with a periodicity of 1 to 3 months and attention should be paid to the components "sealed for life" and the equipment whose stability depends on a post.
3. Annual inspection. A complete inspection of the whole set will be carried out in order to verify that it meets all the sections of the standard and that it has not been modified.

Anchoring detail



- 1 Animal.
- 2 Tab.
- 3 Playing surface.

- 4 Rubber.
- 5 Foundation's upper layer.
- 6 Foundation.

MULTIGAMES THEMED AREAS