



SERIE
ANIMALS
SERIES
special projects



Example of installation with accessories.

Technical information.

Animal: Build in poliester painted by mass, with gel-coat of predominant color and anti-graffiti treatment.

Structure: Internal build in galvanized steel pipe.

Surface: Walk zone finished in high resistance EPDM.

Screws: On galvanized steel.

Anchoring: Galvanized steel for mounting on concrete foundation.

Technical data:

Assembly: 4 pers. 4 hours.

Total high: 2,40 m.

Free fall height: 1,50 m.

Dimensions: 3,37 x 2,45 x h2,4 m.

Safety area: 65 m²

(For the example installation).

Biggest element dimensions: 3,40 m.

Spare parts disponibility: 3 years.



C/ Foia, 13
P.I. Alqueria
de Moret
46210 Picanya
(Valencia)



+34 963 313 677



kiwi@kiwipw.com



kiwip playgrounds.com

The company reserves
the right to perform
any modification or
change in their products.





The Clown fish (age 3-12 years)

Ref. KZM1004

Last check: 01/02/2020

Pag. 2/3

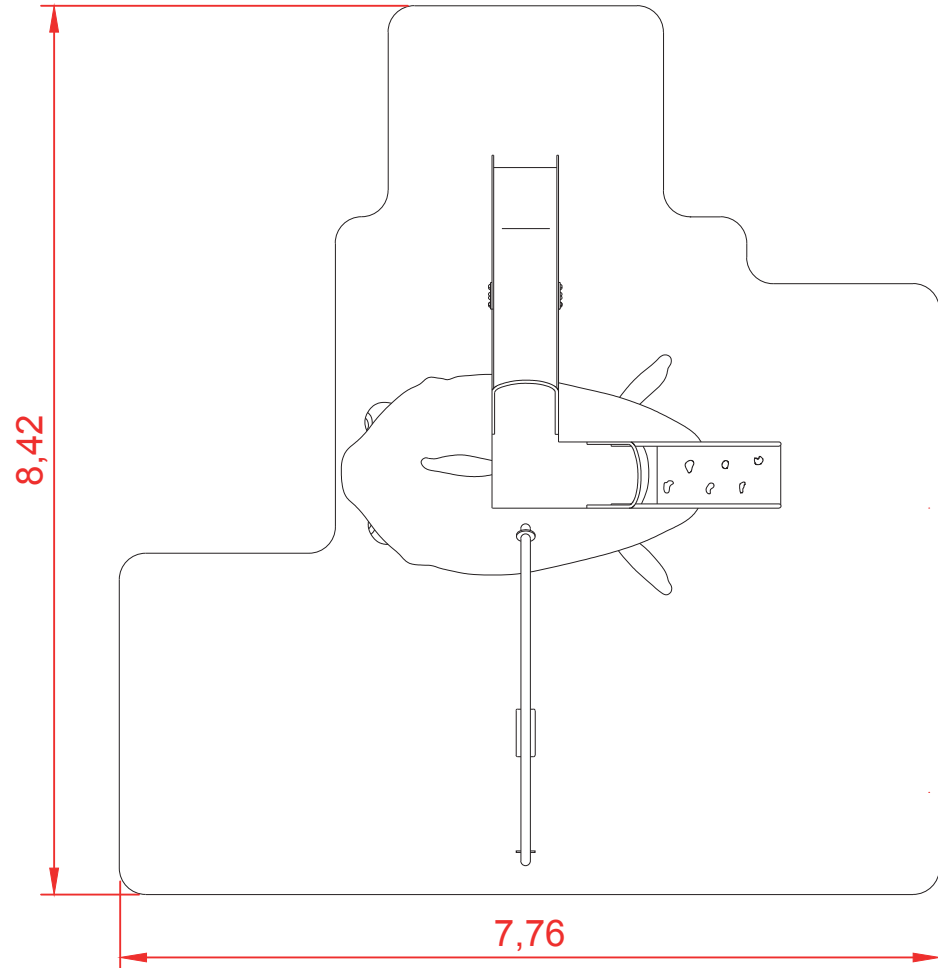
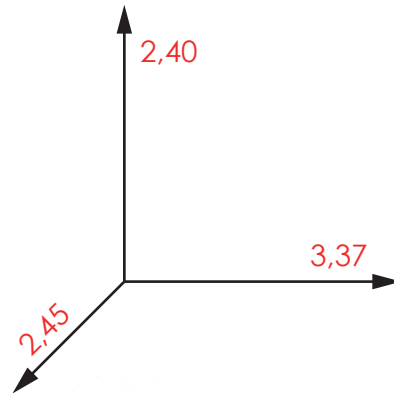
EN-1176-1: 2017
EN-1176-2: 2017+AC: 2019
EN-1176-3: 2017



SERIE
ANIMALS
SERIES
special projects

Total safety area: 65 m²

Maximum dimensions (m.)



C/ Foia, 13
P.I. Alquería
de Moret
46210 Picanya
(Valencia)



+34 963 313 677



kiwi@kiwipw.com



kiwiplaygrounds.com

The company reserves
the right to perform
any modification or
change in their products.

MULTIGAMES THEMED AREAS



The Clown fish (age 3-12 years)

Ref. KZM1004

Last check: 01/02/2020

Pag. 3/3

EN-1176-1: 2017
EN-1176-2: 2017+AC: 2019
EN-1176-3: 2017



SERIE
ANIMALS
SERIES
special projects



C/ Foia, 13
P.I. Alquería
de Moret
46210 Picanya
(Valencia)



+34 963 313 677



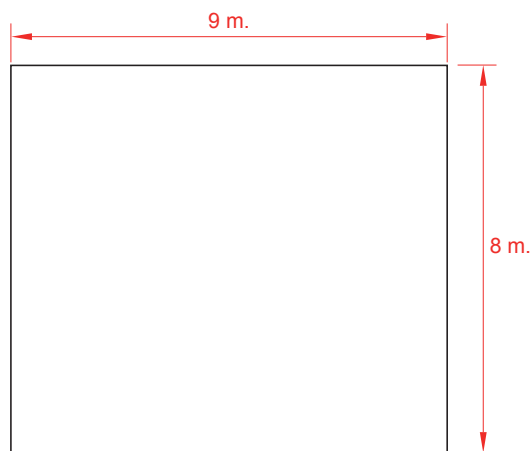
kiwi@kiwipw.com



kiwiplaygrounds.com

The company reserves
the right to perform
any modification or
change in their products.

Foundation dimensions.



Installation.

Screwed to concrete floor using expansion plugs or threaded rod and epoxy. Finished with compacted material coating either continuous wet-pour rubber surfacing or rubber tiles.

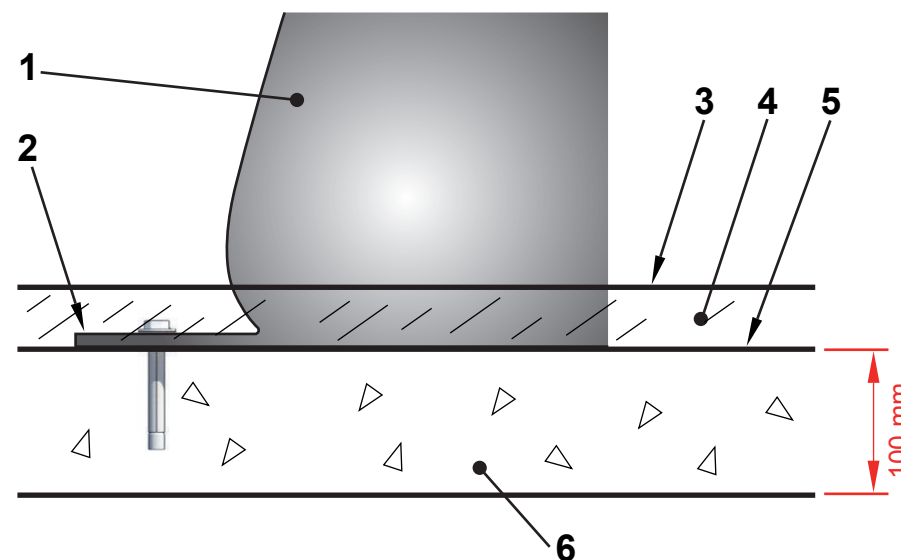
Maintenance:

Checking: all fixing points, screws and bolts must be periodically checked and tightened again if necessary. The checking date must be annotated in order to establish a control.

Inspections:

1. Routine visual inspection. An eye and functional inspection will be performed to verify that you have not suffered any vandalism damage.
2. Functional inspection. This inspection will be carried out with a periodicity of 1 to 3 months and attention should be paid to the components "sealed for life" and the equipment whose stability depends on a post.
3. Annual inspection. A complete inspection of the whole set will be carried out in order to verify that it meets all the sections of the standard and that it has not been modified.

Anchoring detail



- 1 Animal.
- 2 Tab.
- 3 Playing surface.

- 4 Rubber.
- 5 Foundation's upper layer.
- 6 Foundation.

MULTIGAMES THEMED AREAS