



The little Dragon (age 3-12 years)
Ref. KZM3000 - KZM3000A

Last check: 01/04/2020

Page 1/3

EN-1176-1: 2017
EN-1176-2: 2017+AC: 2019
EN-1176-3: 2017



SERIE
ANIMALS
SERIES
special projects

KZM3000: SLIDE (KP4017)

Technical data.

Assembly: 4 pers. 4 hours.

Weight: 1.000 Kg.

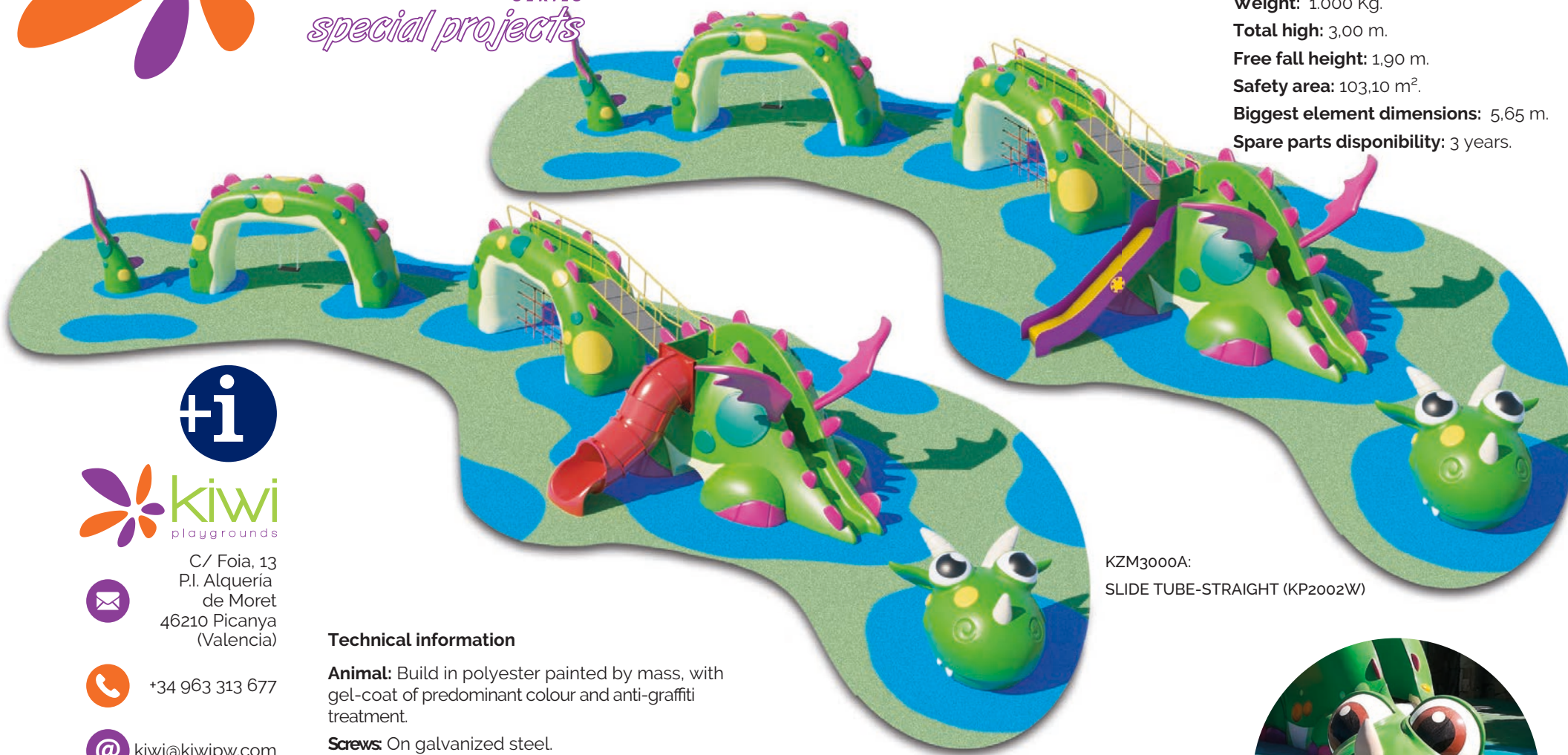
Total high: 3,00 m.

Free fall height: 1,90 m.

Safety area: 103,10 m².

Biggest element dimensions: 5,65 m.

Spare parts disponibility: 3 years.



KZM3000A:
SLIDE TUBE-STRAIGHT (KP2002W)



C/ Foia, 13
P.I. Alquería
de Moret
46210 Picanya
(Valencia)



+34 963 313 677



kiwi@kiwipw.com



kiwiplaygrounds.com

The company reserves
the right to perform
any modification or
change in their products.

Technical information

Animal: Build in polyester painted by mass, with gel-coat of predominant colour and anti-graffiti treatment.

Screws: On galvanized steel.

Bindings: In polyester with fiberglass reinforcement. to screw on foundation.



MULTIGAMES THEMED AREAS



The little Dragon (age 3-12 years)

Ref. KZM3000 - KZM3000A

Last check: 01/04/2020

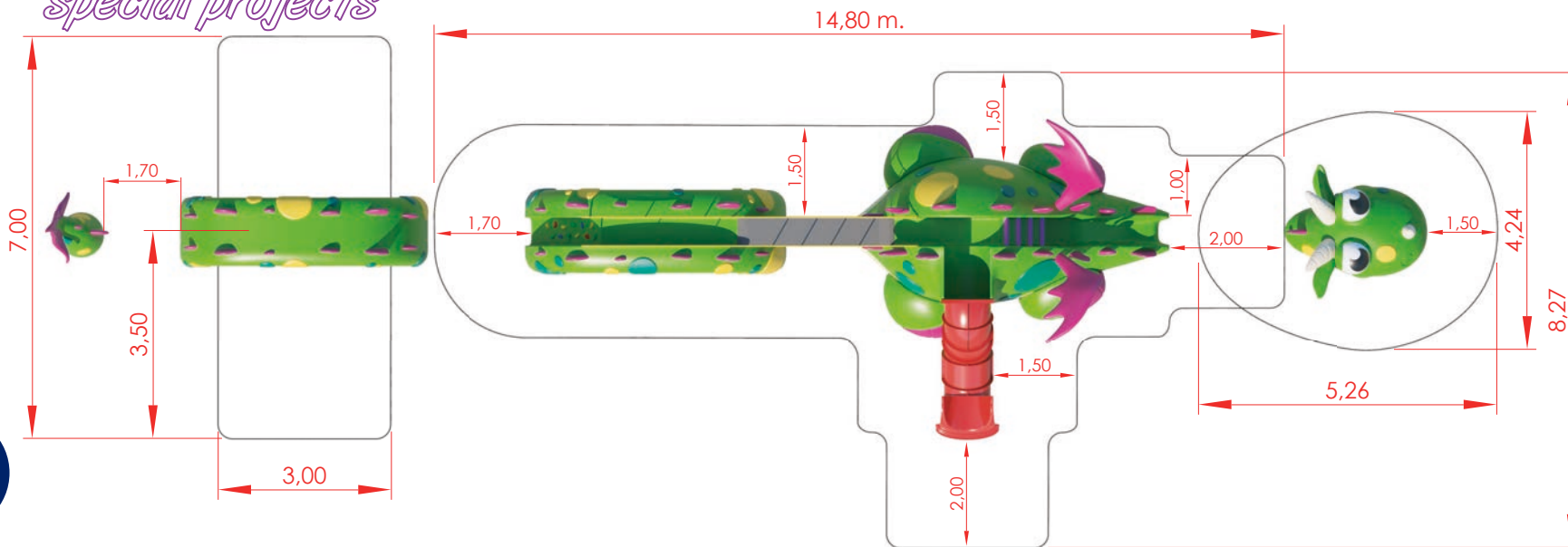
Page 2/3

EN-1176-1: 2017
 EN-1176-2: 2017+AC: 2019
 EN-1176-3: 2017

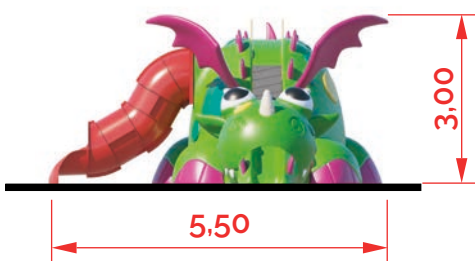


SERIE
ANIMALS
 SERIES
special projects

Total safety area: 103,10 m²

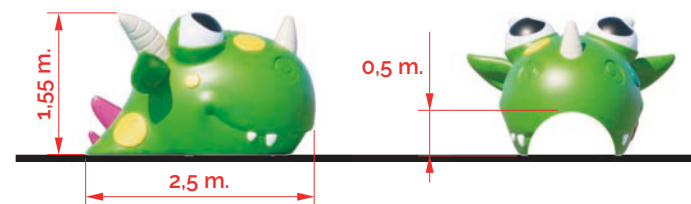


General dimensions (in meters).



Note

The separation and orientation of the different elements, head, body and tail, can vary, as long as the necessary safety areas of each element do not conflict. Consult possible alternatives.



MULTIGAMES THEMED AREAS



C/ Foia, 13
 P.I. Alquería
 de Moret
 46210 Picanya
 (Valencia)



+34 963 313 677



kiwi@kiwipw.com



kiwiplaygrounds.com

The company reserves the right to perform any modification or change in their products.



The little Dragon (age 3-12 years)

Ref. KZM3000 - KZM3000A

Last check: 01/04/2020

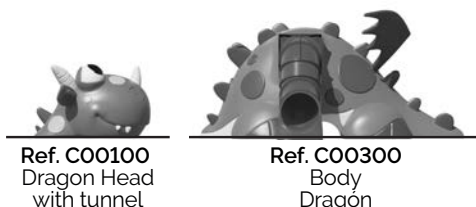
Page 3/3

EN-1176-1: 2017
EN-1176-2: 2017+AC: 2019
EN-1176-3: 2017



SERIE ANIMALS SERIES special projects

Components of the game (by references).



Ref. C00100
Dragon Head
with tunnel

Ref. C00300
Body
Dragon



Ref. C00400
Double swing
arch

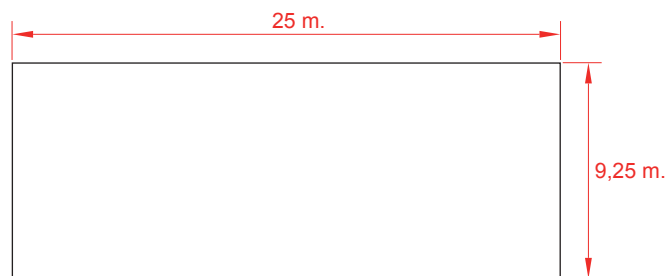


Ref. C00404
Bridge arch



Ref. C00500
Dragon tail

Foundation dimensions for a straight distribution of the elements.
For other distributions, consult us.



Installation.

Screwed to concrete floor using expansion plugs or threaded rod and epoxy. Finished with compacted material coating either continuous wet-pour rubber surfacing or rubber tiles.

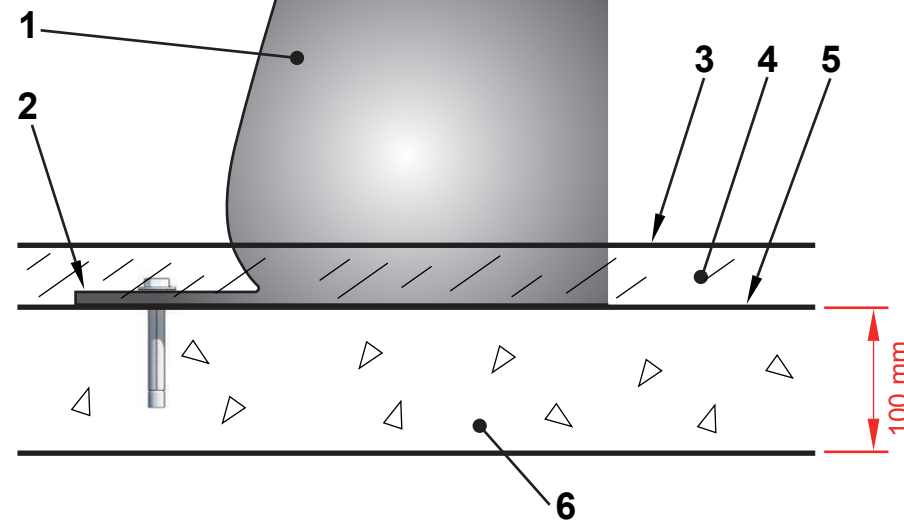
Maintenance:

Checking: all fixing points, screws and bolts must be periodically checked and tightened again if necessary. The checking date must be annotated in order to establish a control.

Inspections:

1. Routine visual inspection. An eye and functional inspection will be performed to verify that you have not suffered any vandalism damage.
2. Functional inspection. This inspection will be carried out with a periodicity of 1 to 3 months and attention should be paid to the components "sealed for life" and the equipment whose stability depends on a post.
3. Annual inspection. A complete inspection of the whole set will be carried out in order to verify that it meets all the sections of the standard and that it has not been modified.

Anchoring detail



- 1 Animal.
- 2 Tab.
- 3 Playing surface.

- 4 Rubber.
- 5 Foundation's upper layer.
- 6 Foundation.



C/ Foia, 13
P.I. Alquería
de Moret
46210 Picanya
(Valencia)



+34 963 313 677



kiwi@kiwipw.com



kiwipw.com

The company reserves the right to perform any modification or change in their products.

MULTIGAMES THEMED AREAS