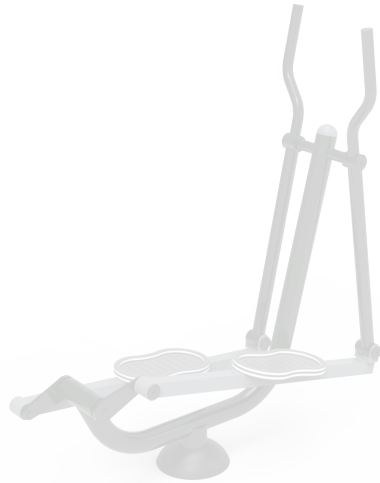


TECHNICAL DATA



Ref.: BS04

Elliptical



Made with structural metal profiles.
Thermo-lacquered paint treatment with primer.
High density polyethylene with UV protection.
Stainless steel screws.

Users: 1

Ages: Users taller than 1,40 m.

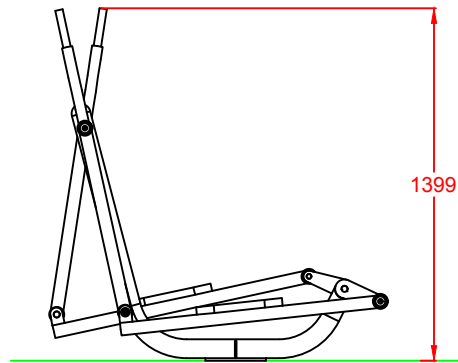
Instructions: Take hold of the two handles and place your feet on the stirrups. move legs in the direction of travel as if you were walking.

Functions: Development of muscle strength in upper and lower limbs, as well as like waist. Strengthening of cardiopulmonary function.

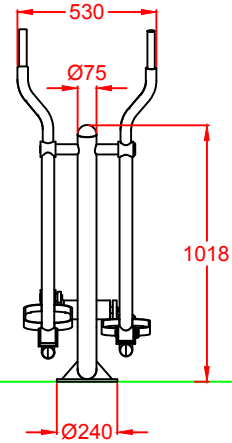
Warning: Don't make sudden movements. A single user. Special attention to upload and when leaving the equipment.



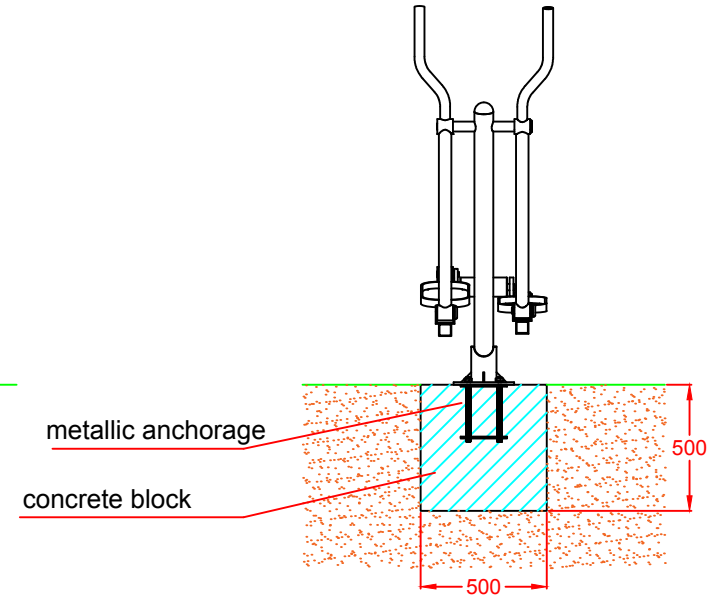
LATERAL VIEW



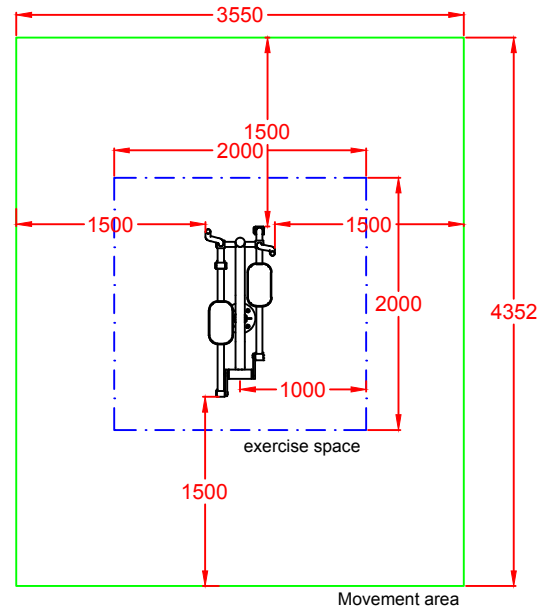
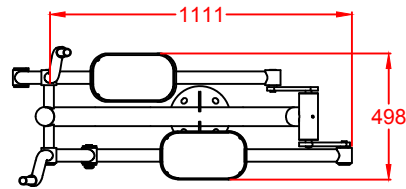
FRONT VIEW




FOUNDATION



TOP VIEW



Drawn		VIEWS AND FOUNDATIONS	Ref: BS04
Reviewed			
Passed			
Description:		Scale:	Full number:
METALLIC BIO-HEALTHY DEVICE "ELLIPTICAL"		Date: 03-08-2016	2/2