

TECHNICAL DATA



Ref.: BS07

Waist Twist



Made with structural metal profiles.
Thermo-lacquered paint treatment with primer.
High density polyethylene with UV protection.
Stainless steel screws.

Users: 3 (one user per platform).

Ages: Users taller than 1,40 m.

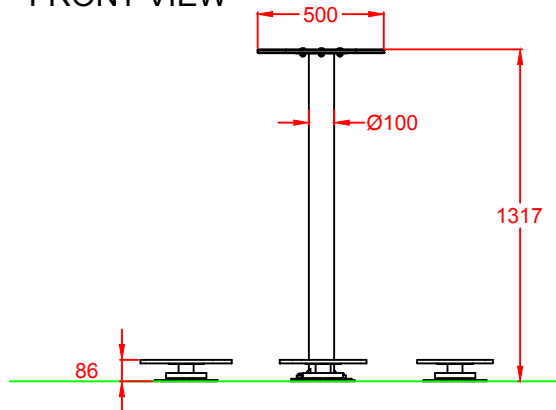
Instructions: Stand on one of the platforms and hold on tightly to the steering wheel.
Turn your body in both directions.

Functions: Activation of the abdomen and hips in addition to improving the agility of spinal column.

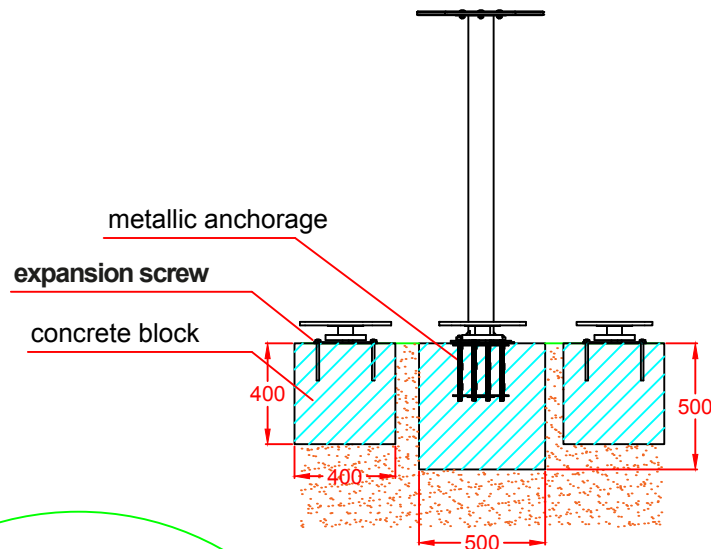
Warning: Keep your body steady. The disk can only be occupied by a single user.
When used by children, adult supervision is required.



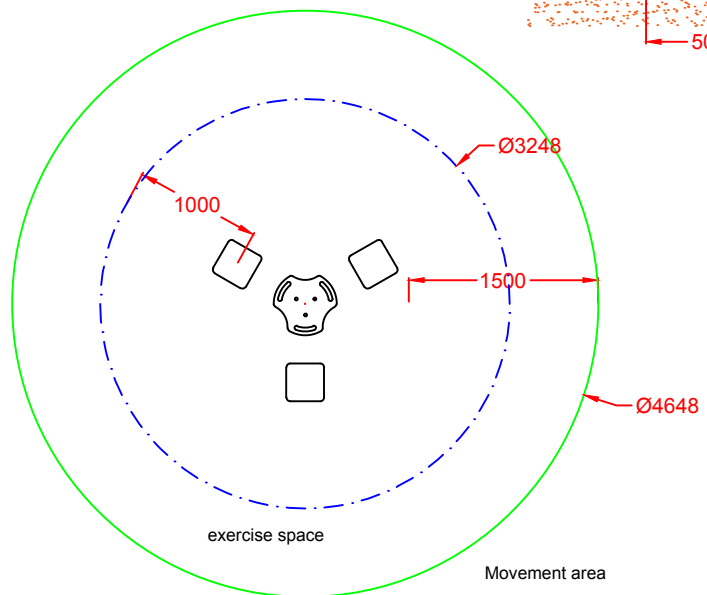
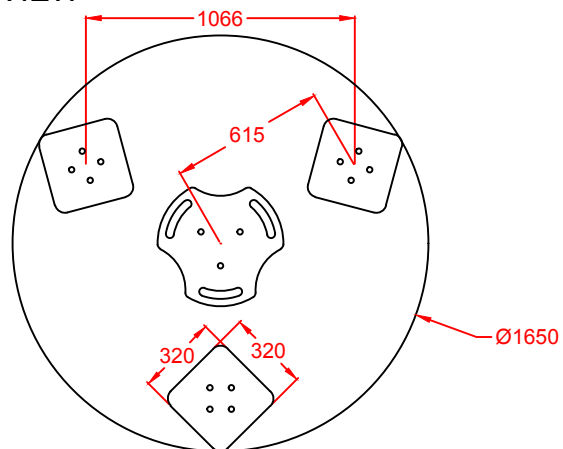
FRONT VIEW




FOUNDATION



TOP VIEW



Drawn		VIEWS AND FOUNDATIONS		Ref: BS07
Reviewed				
Passed				
Description:		Scale:	Full number:	
METALLIC BIO-HEALTHY DEVICE "WAIST TWIST"		Date: 03-08-2016	2/2	