



SERIE  
**ANIMALS**  
SERIES



**Technical information.**  
**Animal:** Build in poliester painted by mass, with gel-coat of predominant color and anti-graffiti treatment.  
**Structure:** Internal build in galvanized steel pipe.  
**Surface:** Walk zone finished in high resistance EPDM.  
**Anchoring:** Galvanized steel for mounting on concrete foundation.

**Technical data.**  
**Assembly:** 2 pers. 2 hours.  
**Weight:** 300 Kg.  
**Total height:** 2,4 m.  
**Free fall height:** 1,50 m.  
**Safety area:** 33 m<sup>2</sup>. (example)  
**Biggest piece dimension:** 3 m.  
**Spare pieces availability:** 3 years.



C/ Foia, 13  
Pl. Alquería  
de Moret  
46210 Picanya  
(Valencia)



+34 963 313 677

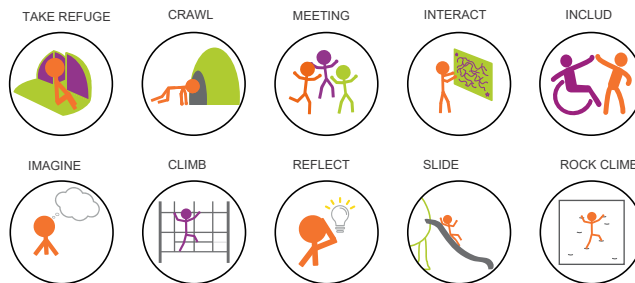


kiwi@kiwipw.com



kiwiplaygrounds.com

The company reserves  
the right to perform  
any modification or  
change in their products.



Example of installation with accessories.

**MODULES**



# The black Sheep (age 6-12 years)

Ref. KP4007

Last check: 11/11/2024

Pág. 2/4

EN-1176-1: 2018+A1:2023

EN-1176-2: 2018+AC:2019

EN-1176-3: 2017



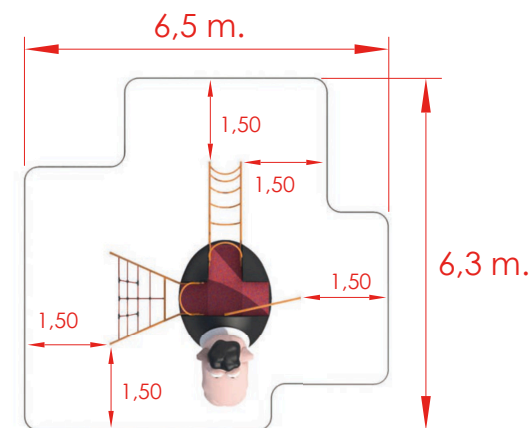
## SERIE ANIMALS SERIES

The children's game is designed to offer a fun and active experience for children, encouraging their physical development while they play outdoors. With its bull shape, children can climb and swing, which helps them improve their balance and motor coordination in a playful way.

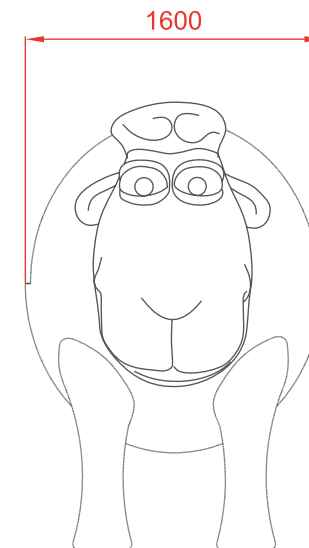
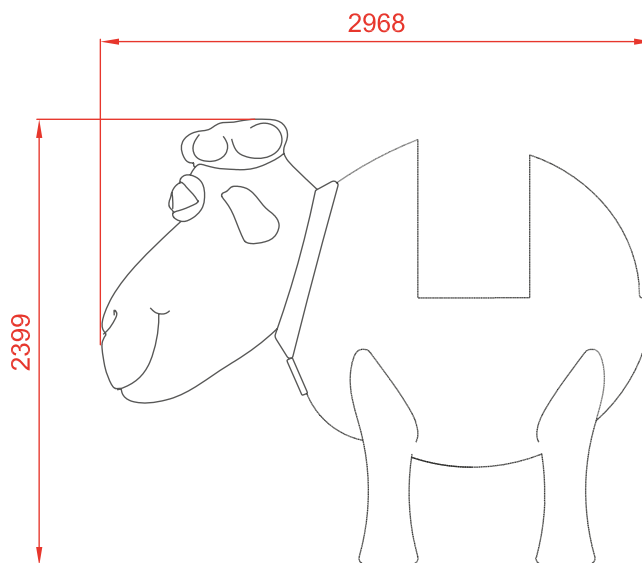
This set is built with strong and safe materials, such as galvanized steel and high-quality fiberglass, ensuring durability and the safety of children. In addition, it has rounded edges to avoid any risk of injury. Its attractive and colorful design captures the attention of little ones, making it even more exciting for them.

Children's play is an excellent option to stimulate children's physical activity, promoting exercise in a fun and natural way. Promotes strength, agility and endurance, helping children develop motor skills while having fun. This type of game is ideal for playgrounds, schools or recreational spaces, as it allows children to interact with each other while and they enjoy time outdoors.

Safety area 33 m<sup>2</sup>  
(with example elements)



General dimensions (mm.)



MODULES



C/ Foia, 13  
Pl. Alquería  
de Moret  
46210 Picanya  
(Valencia)



+34 963 313 677



kiwi@kiwipw.com



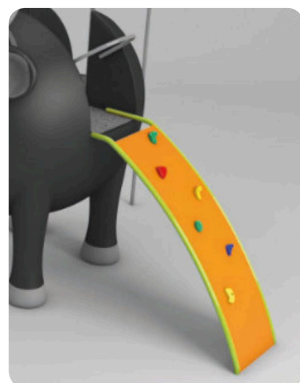
kiwiplaygrounds.com

The company reserves  
the right to perform  
any modification or  
change in their products.

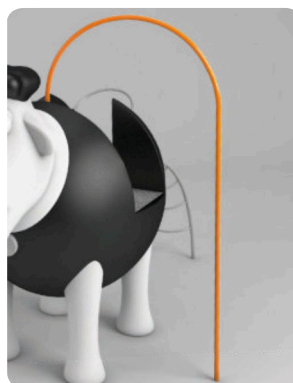


SERIE **ANIMALS**  
SERIES  
*special projects*

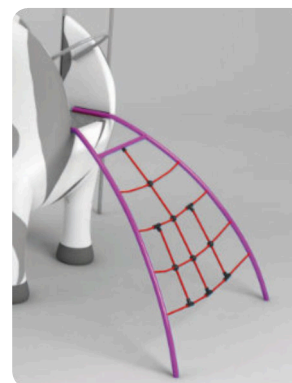
Available accessories



Ref. KP4012  
Climing Walls



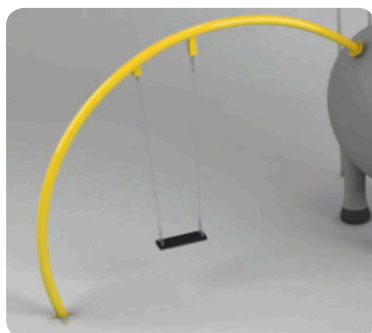
Ref. KP4013  
Fireman's Pole



Ref. KP4014  
Climbing Net



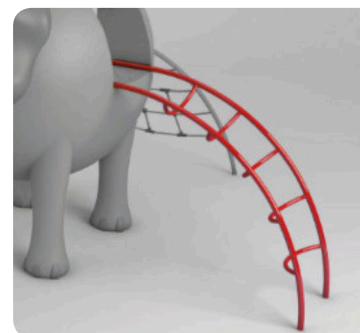
Ref. KP4015  
Ladder



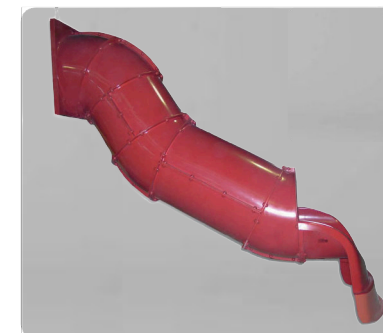
Ref. KP4016  
Swing



Ref. KP4017  
Slide



Ref. KP4018  
Curved Ladder



Ref. KP2002W  
Slide Tube



C/Foia, 13  
P.I. Alquería  
de Moret  
46210 Picanya  
(Valencia)



+34963 313677



kiwi@kiwipw.com



kiwiplaygrounds.com

The company reserves  
the right to perform  
any modification or  
change in their products.

THEMED MULTI-GAME AREAS



## SERIE ANIMALS SERIES



Anchoring detail

### Installation.

Screwed to concrete floor using expansion plugs or threaded rod and epoxy. Finished with compacted material coating either continuous wet-pour rubber surfacing or rubber tiles.

### Maintenance:

Checking: all fixing points, screws and bolts must be periodically checked and tightened again if necessary. The checking date must be annotated in order to establish a control.

### Inspections:

1. Routine visual inspection. An eye and functional inspection will be performed to verify that you have not suffered any vandalism damage.
2. Functional inspection. This inspection will be carried out with a periodicity of 1 to 3 months and attention should be paid to the components "sealed for life" and the equipment whose stability depends on a post.
3. Annual inspection. A complete inspection of the whole set will be carried out in order to verify that it meets all the sections of the standard and that it has not been modified.



C/ Foia, 13  
Pl. Alquería  
de Moret  
46210 Picanya  
(Valencia)



+34 963 313 677



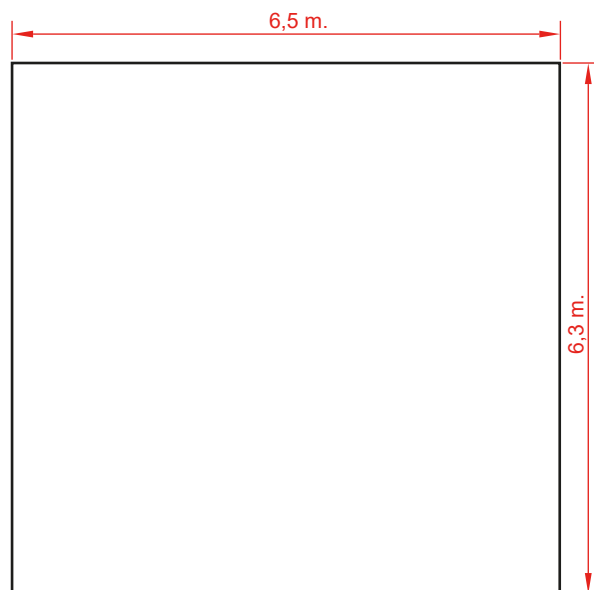
kiwi@kiwipw.com



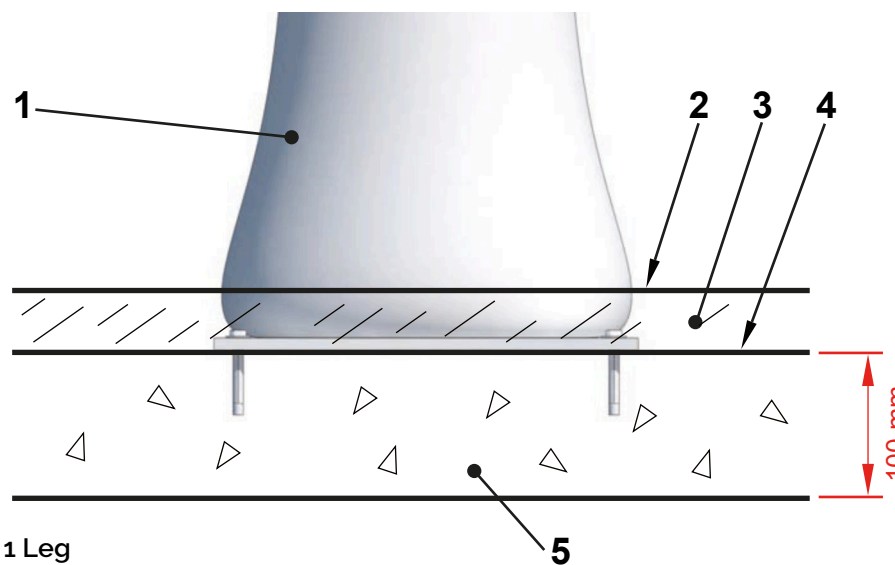
kiwiplaygrounds.com

The company reserves the right to perform any modification or change in their products.

Dimensions of the concrete slab of the example .



Anchoring detail



- 1 Leg
- 2 Playing surface
- 3 Rubber
- 4 Foundation's upper layer
- 5 Foundation

# MODULES